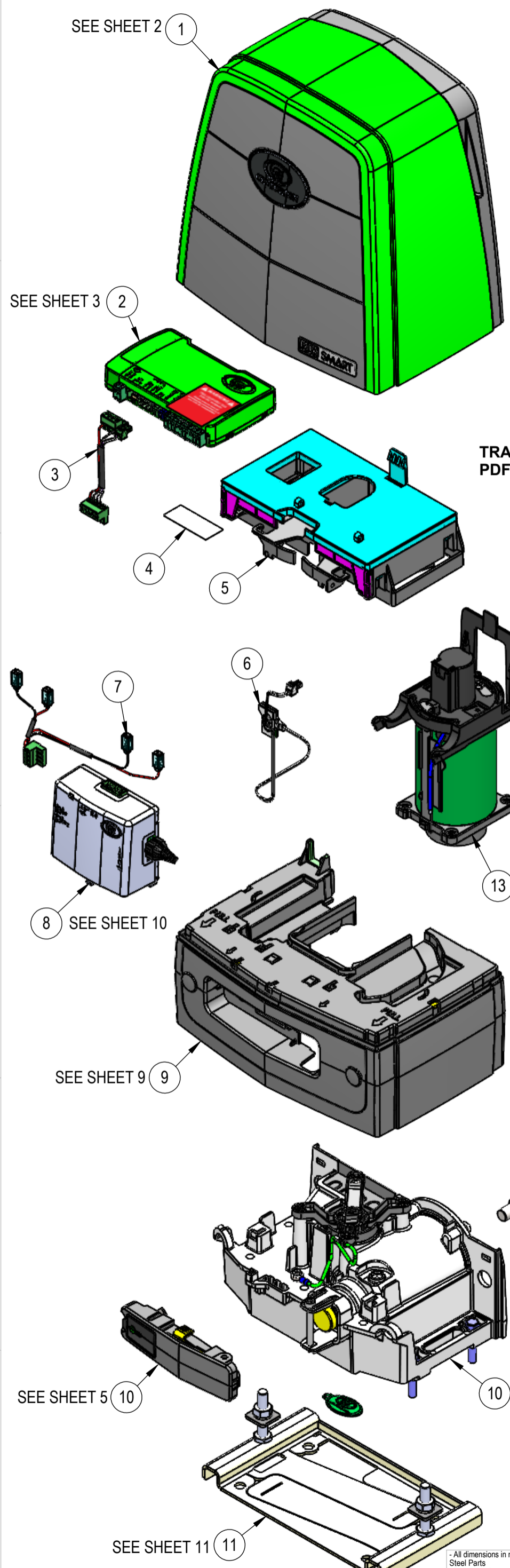
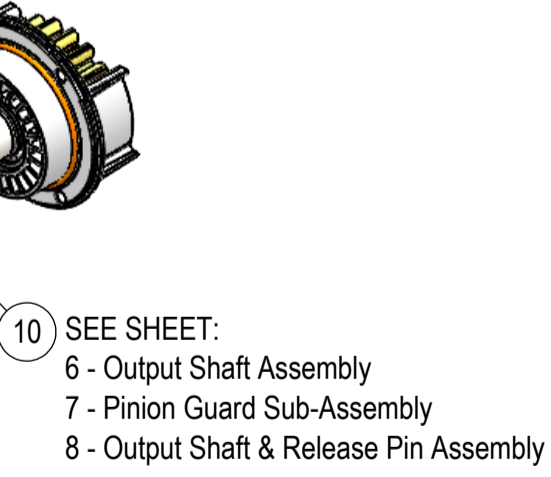
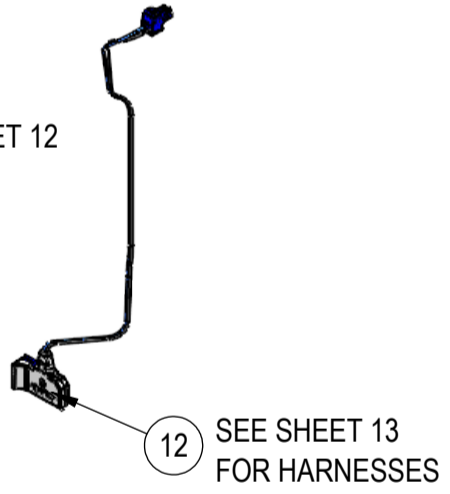
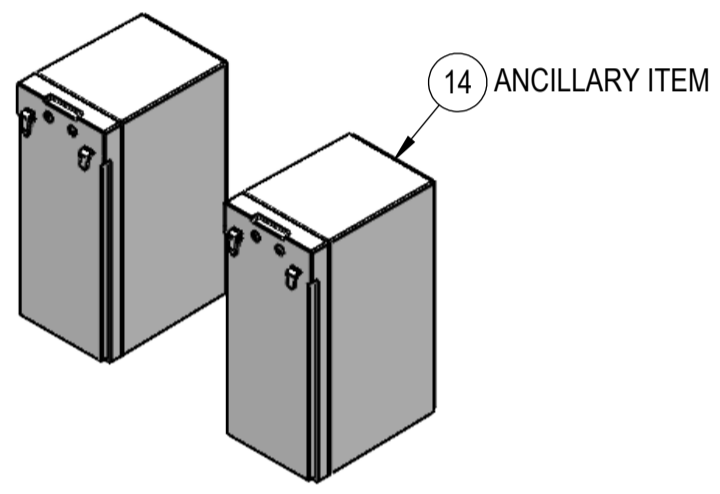


ITEM No.	QTY	TITLE	Drawing Number	PART No.	Saleable Items
1	1	D10T Smart Cover Assembly - Centurion / Centsys	See Sheet 2	See Sheet 2	Yes
2	1	Smart Controller V2 Assy	1271.M.ASY.10.00	PCA12713V3.0	Yes
3	1	D5S1 Main Controller Harness	1401.E.012.V2.00	WH1401E012V2	Yes
4	1	LABEL D5S1 MOBILE APP 25MM X 60MM	STD DOC	LABELMOBAPP1	No
5	1	D5S1 Controller Platform Assy	1401.M.069.V1.00	1401M069V100	Yes
6	1	D5S1 Origin Sensor Assembly V2	1401.M.ASY.28.00	PCA14018V1	Yes
7	1	D5S1 Battery Harness	1401.E.013.V1.00	W1401E01300	Yes
8	1	D10S Charger Assy	1271.M.ASY.09.00	PCA12717V1_DX2	Yes
9	1	D10S Lower Battery Tray Sub Assembly	1271.M.ASY.19.00	1271MASY1900	Yes
10	1	D10 Turbo Smart Gearbox Sub Assembly	1271.M.ASY.26.00	1271MASY2600	Yes
11	1	D10S Foundation Plate & Fastener Assembly	1271.M.ASY.18.00	1271MASY1800	Yes
12	1	D5S1 Override Sensor Assembly with Tab	1401.M.ASY.27.00	1401MASY27V2	Yes
13	1	D10S Motor Sub Assembly	1271.M.ASY.32.00	1271MASY3200	Yes
14	2	Battery Centurion WP7.2-12 7.2 AH 12V	STD ITEM	CP4C2	Yes



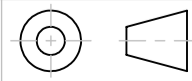
TRANSLATION IN THE EXCEL 1271.M.ASY.13.00 D10S Assembly (Sales) AND ON THE PDF 1271.M.ASY.13.00 D10S Assembly (Sales)



APPROVED

- All dimensions in mm.
Steel Parts
- Deburr all sharp edges
Plastic Parts
- Free from flash

A3

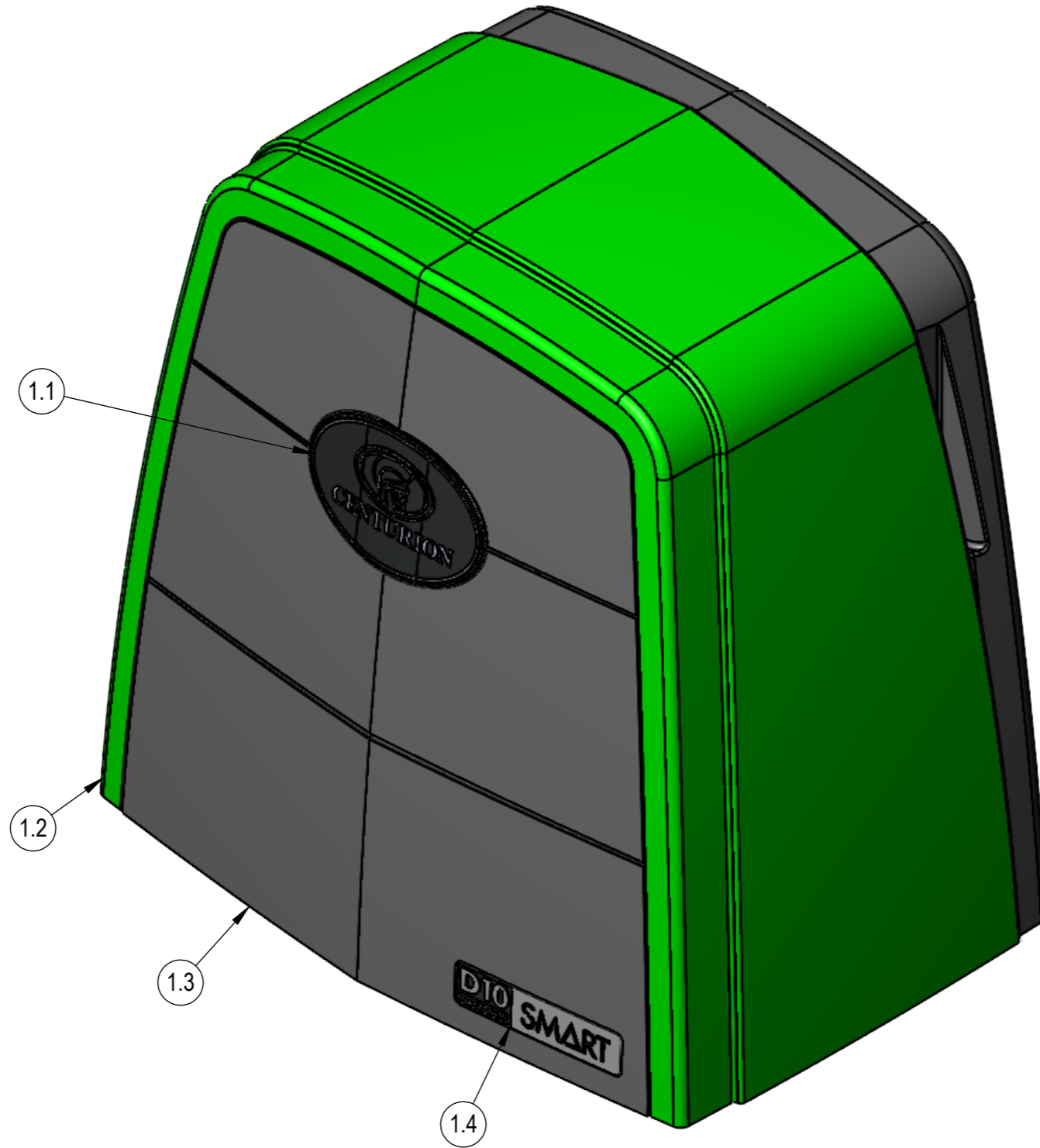


Title: D10 Turbo Smart Assembly (Sales)		Rev: 0
Sheet No: 1 of 13	Drg. No: 1271.M.ASY.30.00	

Material: ----	General tolerances: Unless Otherwise Specified	Mass: g
Corrosion protection: ----	0 +/- 0.5mm	Volume: 5840275.20mm ³
Colour: ----	0.0 +/- 0.2mm	Drawn by: BL
Part No: ----	0.00 +/- 0.1mm	Issued: 2021-10-06
	0.000 +/- 0.01mm	Scale: NOT TO ANY SCALE
	Angular +/- 0.1°	

THE INFORMATION CONTAINED IN THIS DRAWING IS THE SOLE PROPERTY OF CENTURION SYSTEMS ANY REPRODUCTION IN PART OR WHOLE WITHOUT THE WRITTEN PERMISSION OF CENTURION SYSTEMS IS PROHIBITED

ITEM No.	QTY	TITLE	Drawing Number	PART No.	Saleable Items
1	1	D10T Smart Cover Assembly - Centurion	1271.M.ASY.16.00	1271MASY1600	Yes
		D10T Smart Cover Assembly - Centsys	1271.M.ASY.22.00	1271MASY2200	Yes
1.1	1	Badge Logo Centurion 80,63 x 52mm Alu	1401.M.005.V1.00	M-BADGECEN01	No
		Badge Logo Centsys 80,63 x 52mm Alu	1401.M.058.V1.00	M-BADGECEN02	No
1.2	1	D10S Top Cover Trim	1271.M.004.V1.00	1271M004V100	No
1.3	1	D10S Top Cover	1271.M.003.V1.00	1271M003V100	No
1.4	1	D10 Turbo Smart Badge	1271.M.039.V1.00	M-BADGESMRTD10T	No

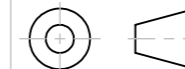


PLEASE NOTE: Centurion and Centsys
Cover Varients Available

Material: ----	General tolerances: <u>Unless Otherwise Specified</u>	Mass: g
Corrosion protection: ----	0 +/- 0.5mm	Volume: 5840275.20mm ³
Colour: ----	0.0 +/- 0.2mm	Drawn by: BL
	0.00 +/- 0.1mm	Issued: 2021-10-06
Part No: See BOM	0.000 +/- 0.01mm	Scale: ----
	Angular +/- 0.1°	

- All dimensions in mm.
Steel Parts
- Deburr all sharp edges
Plastic Parts
- Free from flash

A3



Title:
D10 Turbo Smart Assembly (Sales)

SHEET NO:
2 of 13

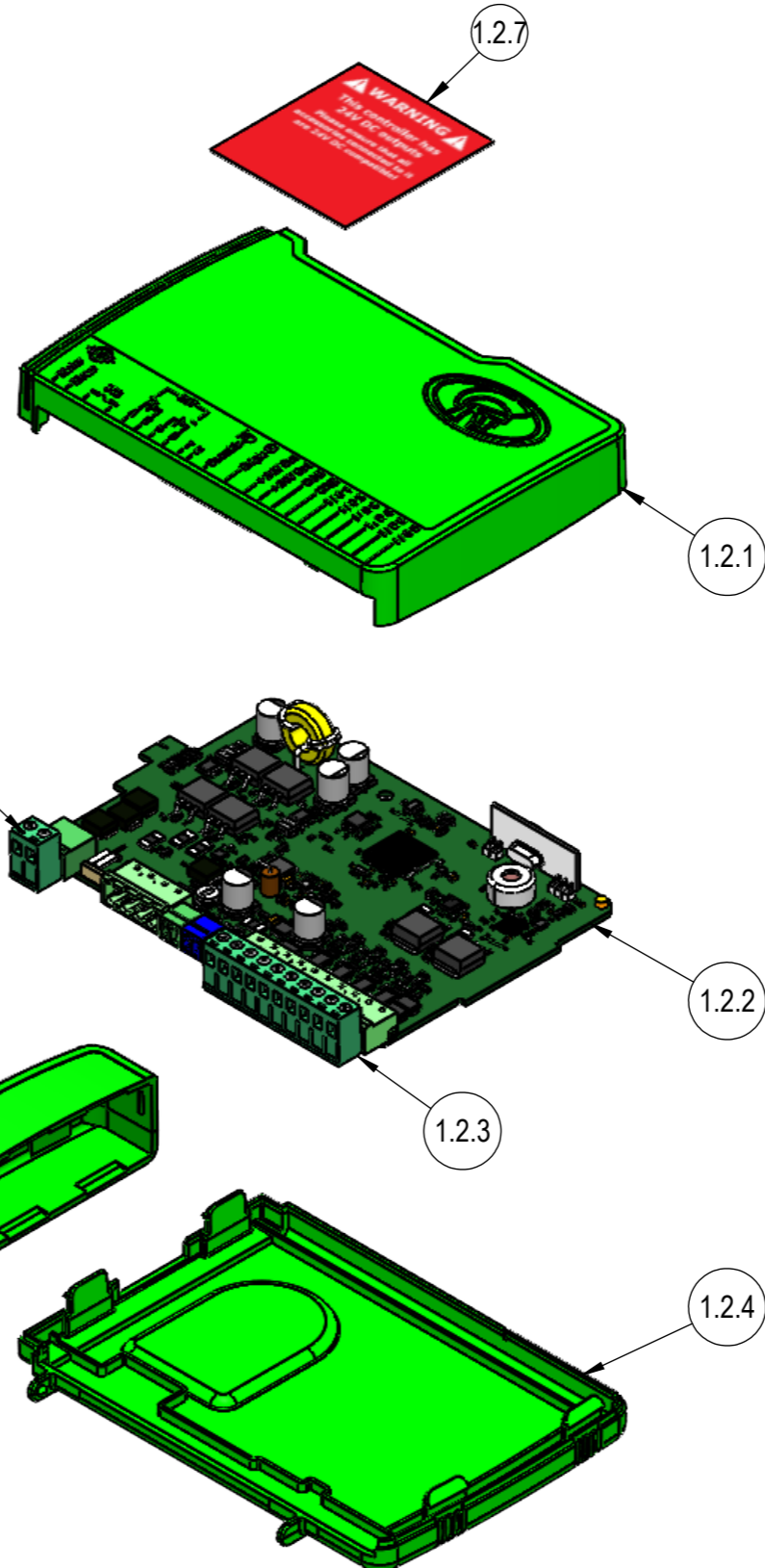
Drg. No:
1271.M.ASY.30.00

Rev:
0

THE INFORMATION CONTAINED IN THIS DRAWING IS THE SOLE PROPERTY OF CENTURION SYSTEMS ANY REPRODUCTION IN PART OR WHOLE WITHOUT THE WRITTEN PERMISSION OF CENTURION SYSTEMS IS PROHIBITED

Tel: (011) 699-2400
Fax: (011) 704-3412

ITEM No.	QTY	TITLE	Drawing Number	PART No.	Saleable Items
1	1	D10 Smart Controller PCB Assy Boxed	----	DXSC-S20V0	Yes
1.1	1	Box D5 Evo CC, D10, Sector Control Card	----	BOX1010D5CC0	No
1.2	1	Smart Controller V2	1271.M.ASY.10.00	PCA12713V3.0	Yes
1.2.1	1	D10S Control Card Enclosure Top	1271.M.024.V1.00	1271M024V100	Yes
1.2.2	1	Dx Controller PCB	1271.E.003.V1.00	PCB12713V3.0	No
1.2.3	1	Degson 2EDG - 5.0mm 10 Way Plug	----	TM5ESDV/10	Yes
1.2.4	1	D5S1 Control Card Enclosure Bottom	1401.M.047.V1.00	1401M047V100	Yes
1.2.5	1	D5S1 Control Card Enclosure Side Cover	1401.M.048.V1.00	1401M048V100	Yes
1.2.6	1	Degson 2EDG - 5.08mm 2 Way Plug	----	TM5ESDV/02	Yes
1.2.7	1	DX-SMART 24V DC Output Sticker	1401.D.05.0011	1401D0500011	No



Material: ----	General tolerances: <u>Unless Otherwise Specified</u> 0 +/- 0.5mm 0.0 +/- 0.2mm 0.00 +/- 0.1mm 0.000 +/- 0.01mm Angular +/- 0.1°	Mass: g Volume: 5840275.20mm³ Drawn by: BL Issued: 2021-10-06 Scale: ----
-------------------	--	---

- All dimensions in mm.
Steel Parts
- Deburr all sharp edges
Plastic Parts
- Free from flash

A3

THE INFORMATION CONTAINED IN THIS DRAWING IS THE SOLE PROPERTY OF CENTURION SYSTEMS ANY REPRODUCTION IN PART OR WHOLE WITHOUT THE WRITTEN PERMISSION OF CENTURION SYSTEMS IS PROHIBITED

CENTURION

Tel: (011) 699-2400
Fax: (011) 704-3412

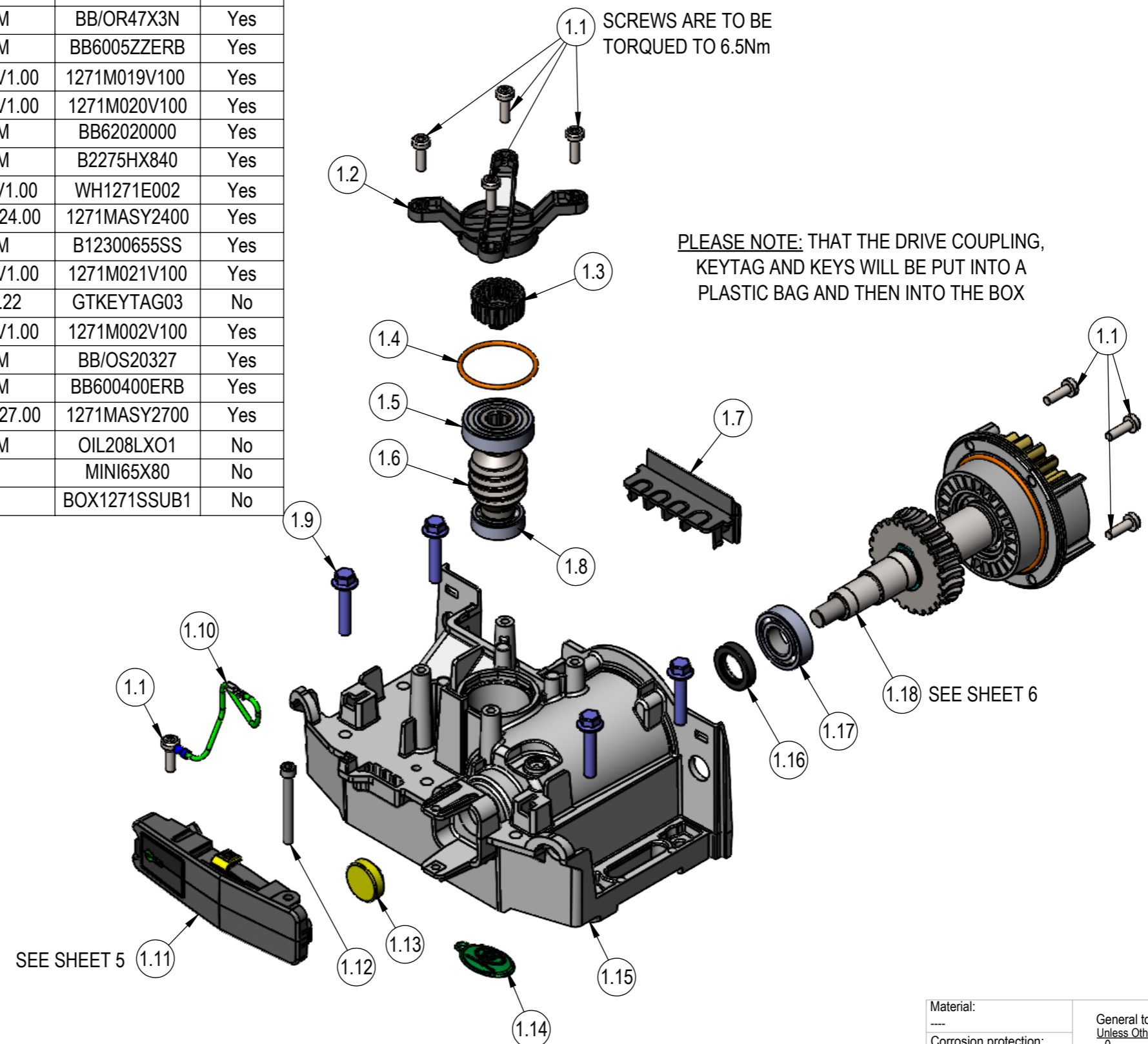
Sheet No: 3 of 13

Drg. No: 1271.M.ASY.30.00

Rev: 0

Title: **D10 Turbo Smart Assembly (Sales)**

ITEM No.	QTY	TITLE	Drawing Number	PART No.	Saleable Items
1	1	D10 Turbo Smart Gearbox Sub Assembly	1271.M.ASY.26.00	1271MASY2600	Yes
1.1	9	TORX TAPTITE M6X20 (304SS)	STD ITEM	B2275TX620SS	Yes
1.2	1	Bearing Retaining Bracket	1271.M.035.V1.00	1271M035V100	No
1.3	1	D5S1 Drive Coupling wormshaft side	1401.M.044.V1.00	1401M044V100	Yes
1.4	1	O-Ring, ID47 x 3	STD ITEM	BB/OR47X3N	Yes
1.5	1	Bearing 6005-ZZ (25x47x12)	STD ITEM	BB6005ZZERB	Yes
1.6	1	D10ST Wormshaft M2.65 PCD 33.2 4.56°	1271.M.019.V1.00	1271M019V100	Yes
1.7	1	D10S Cable Shield	1271.M.020.V1.00	1271M020V100	Yes
1.8	1	Bearing 6202-Plain (15x35x11)	STD ITEM	BB62020000	Yes
1.9	4	M8x40 Full Thread Taptite Hex Head 12A/F	STD ITEM	B2275HX840	Yes
1.10	1	D10S Earth Harness	1271.E.002.V1.00	WH1271E002	Yes
1.11	1	D10S Release Handle Assembly	1271.M.ASY.24.00	1271MASY2400	Yes
1.12	1	Hex cap screw M6 x 55 SS	STD ITEM	B12300655SS	Yes
1.13	1	D10S Release Pin Cap	1271.M.021.V1.00	1271M021V100	Yes
1.14	1	Universal Keytag V3 - Bo Type	0000.M.09.22	GTKEYTAG03	No
1.15	1	D10S Gearbox	1271.M.002.V1.00	1271M002V100	Yes
1.16	1	Oil Seal 20x32x7 HMSA10	STD ITEM	BB/OS20327	Yes
1.17	1	Bearing 6004-Plain ERB (20x42x12)	STD ITEM	BB600400ERB	Yes
1.18	1	D10 Turbo Smart Output Shaft Assembly	1271.M.ASY.27.00	1271MASY2700	Yes
1.19	1	80ml Oil	STD ITEM	OIL208LXO1	No
1.20	1	Mini Grip Sub Assembly Box	----	MINI65X80	No
1.21	1	D10S Gearbox Sub Assembly Box	----	BOX1271SSUB1	No



Material: ----	General tolerances: <u>Unless Otherwise Specified</u>	Mass: g
Corrosion protection: ----	0 +/- 0.5mm	Volume: 5840275.20mm ³
Colour: ----	0.0 +/- 0.2mm	Drawn by: BL
Part No: See BOM	0.00 +/- 0.1mm	Issued: 2021-10-06
	0.000 +/- 0.01mm	Scale: ----
	Angular +/- 0.1°	

- All dimensions in mm.
 Steel Parts
 - Deburr all sharp edges
 Plastic Parts
 - Free from flash

A3

THE INFORMATION CONTAINED IN THIS DRAWING IS THE SOLE PROPERTY OF CENTURION SYSTEMS ANY REPRODUCTION IN PART OR WHOLE WITHOUT THE WRITTEN PERMISSION OF CENTURION SYSTEMS IS PROHIBITED

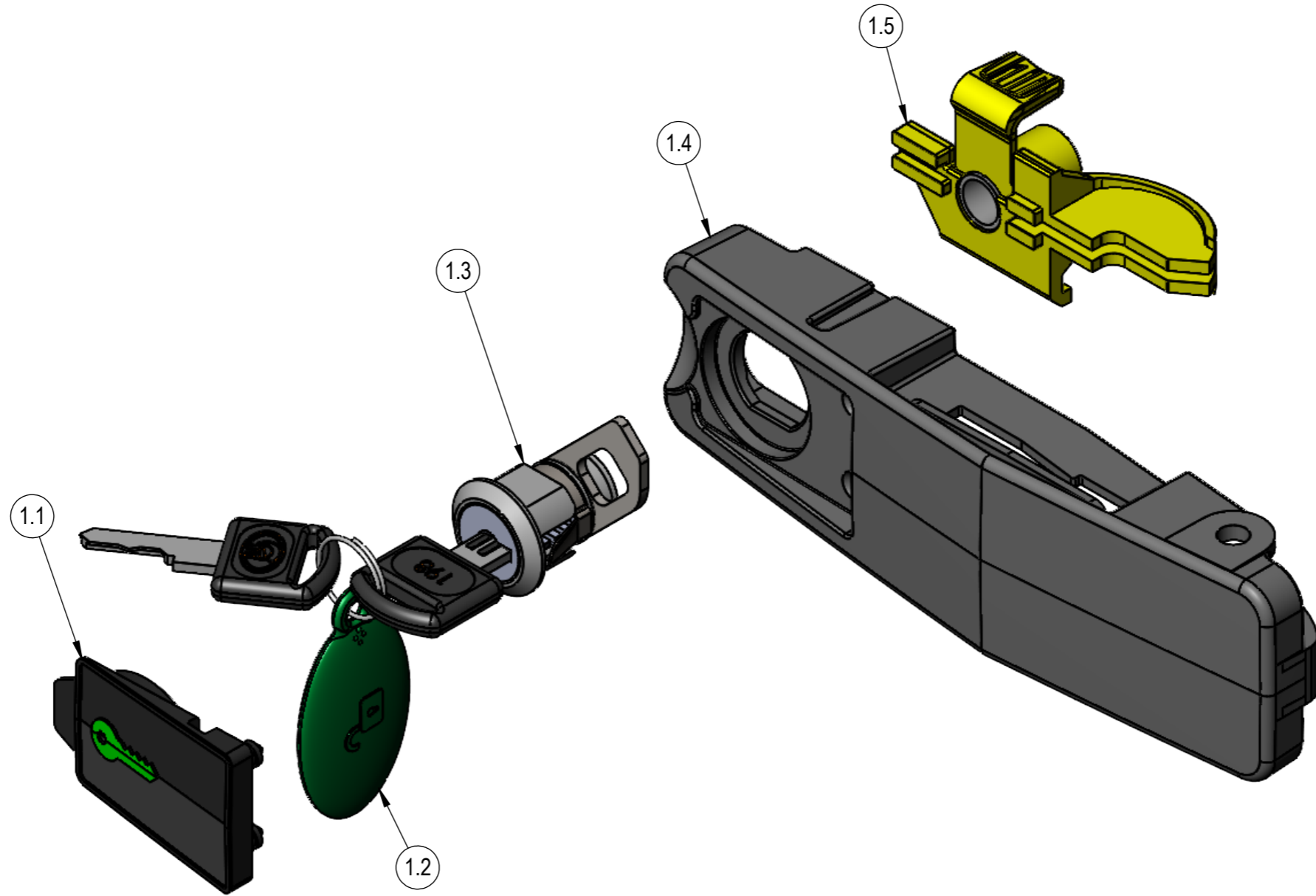
CENTURION

Tel: (011) 699-2400
 Fax: (011) 704-3412

Title:
D10 Turbo Smart Assembly (Sales)

Sheet No: 4 of 13
 Drg. No: 1271.M.ASY.30.00
 Rev: 0

ITEM No.	QTY	TITLE	Drawing Number	PART No.	SALEABLE ITEMS
1	1	D10S Release Handle Assembly	1271.M.ASY.24.00	1271MASY2400	Yes
1.1	1	D5S1 Camlock Cover SI02 with CO 50 Shore	1401.M.032.V1.00	1401M032V100	Yes
1.2	1	Keytag V3 - BO Type Universal	0000.M.09.22	GTKEYTAG03	Yes
1.3	1	Camlock Assembly D5S1 16mm Flat Head 90°	1401.M.ASY.06.00	M-CAMFH16900	No
1.4	1	D10S Release Handle	1271.M.005.V1.00	1271M005V100	No
1.5	1	D10S Override Cam Assembly	1271.M.ASY.08.00	1271MASY0800	Yes



Material: ----	General tolerances: Unless Otherwise Specified	Mass: g
Corrosion protection: ----	0 +/- 0.5mm	Volume: 5840275.20mm ³
Colour: ----	0.0 +/- 0.2mm	Drawn by: BL
Part No: ----	0.00 +/- 0.1mm	Issued: ----
----	0.000 +/- 0.01mm	Scale: ----
----	Angular +/- 0.1°	

- All dimensions in mm.
 Steel Parts
 - Deburr all sharp edges
 Plastic Parts
 - Free from flash

A3

THE INFORMATION CONTAINED IN THIS DRAWING IS THE SOLE PROPERTY OF CENTURION SYSTEMS ANY REPRODUCTION IN PART OR WHOLE WITHOUT THE WRITTEN PERMISSION OF CENTURION SYSTEMS IS PROHIBITED

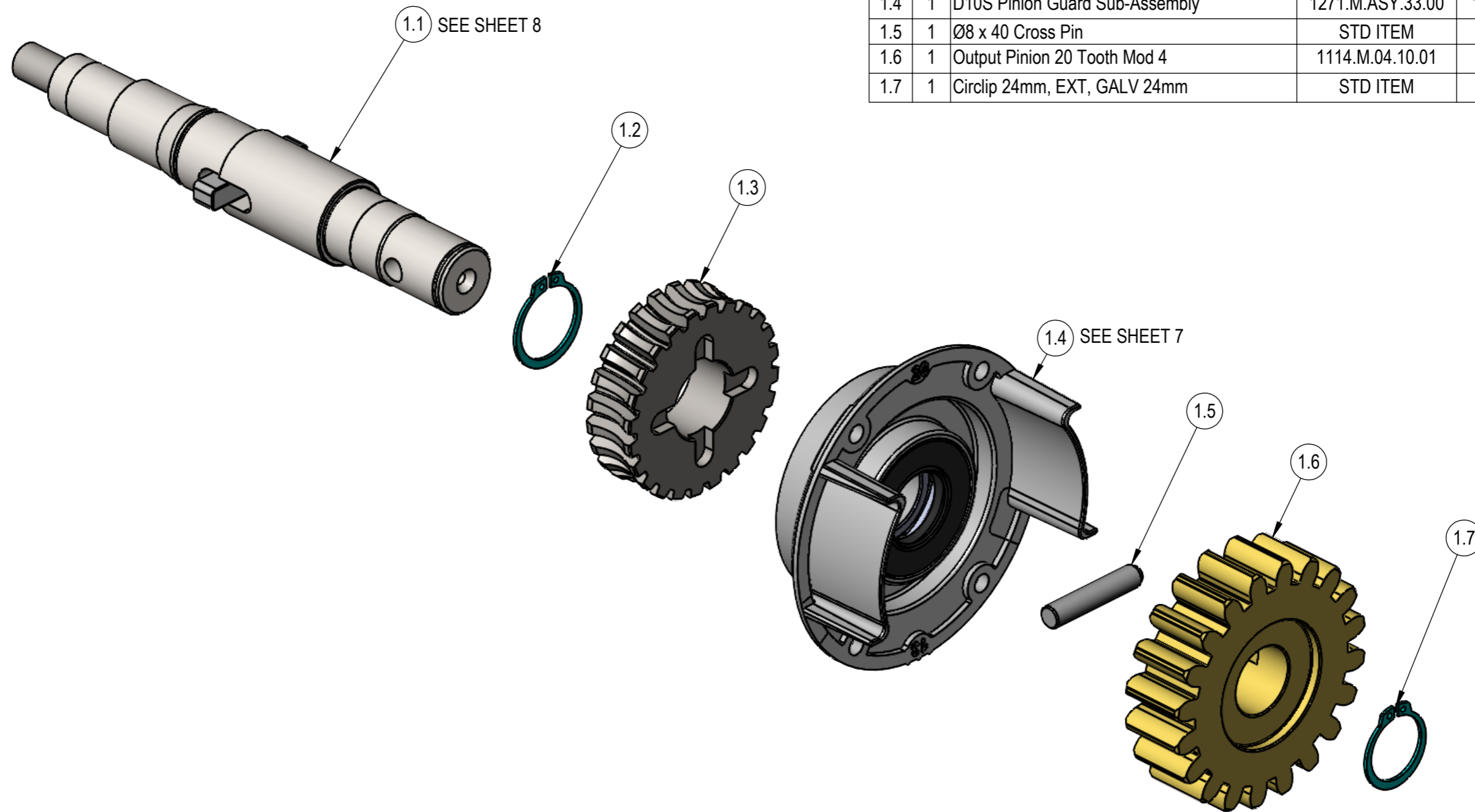
CENTURION

Tel: (011) 699-2400
 Fax: (011) 704-3412

D10 Turbo Smart Assembly (Sales)

Sheet No: 5 of 13
 Drg. No: 1271.M.ASY.30.00
 Rev: 0

ITEM No.	QTY	TITLE	Drawing Number	PART No.	Saleable Items
1	1	D10 Turbo Smart Output Shaft Assembly	1271.M.ASY.27.00	1271MASY2700	Yes
1.1	1	D10S Output Shaft & Release Pin Assembly	1271.M.ASY.17.00	1271MASY1700	Yes
1.2	1	Circlip 27mm, Ext, Galv	STD ITEM	F-CIRCLP27	Yes
1.3	1	D10ST Enveloped Gear 24T M2.65 4.56°	1271.M.016.V1.00	1271M016V100	Yes
1.4	1	D10S Pinion Guard Sub-Assembly	1271.M.ASY.33.00	1271MASY3400	Yes
1.5	1	Ø8 x 40 Cross Pin	STD ITEM	M0840CRPIN	Yes
1.6	1	Output Pinion 20 Tooth Mod 4	1114.M.04.10.01	1114041001	Yes
1.7	1	Circlip 24mm, EXT, GALV 24mm	STD ITEM	F-CIRCLP24	Yes



Material: ----	General tolerances: <u>Unless Otherwise Specified</u>	Mass: g
Corrosion protection: ----	0 +/- 0.5mm	Volume: 5840275.20mm³
Colour: ----	0.0 +/- 0.2mm	Drawn by: BL
	0.00 +/- 0.1mm	Issued: 2021-10-06
	0.000 +/- 0.01mm	
Part No: See BOM	Angular +/- 0.1°	Scale: ----

- All dimensions in mm.
Steel Parts
- Deburr all sharp edges
Plastic Parts
- Free from flash

A3

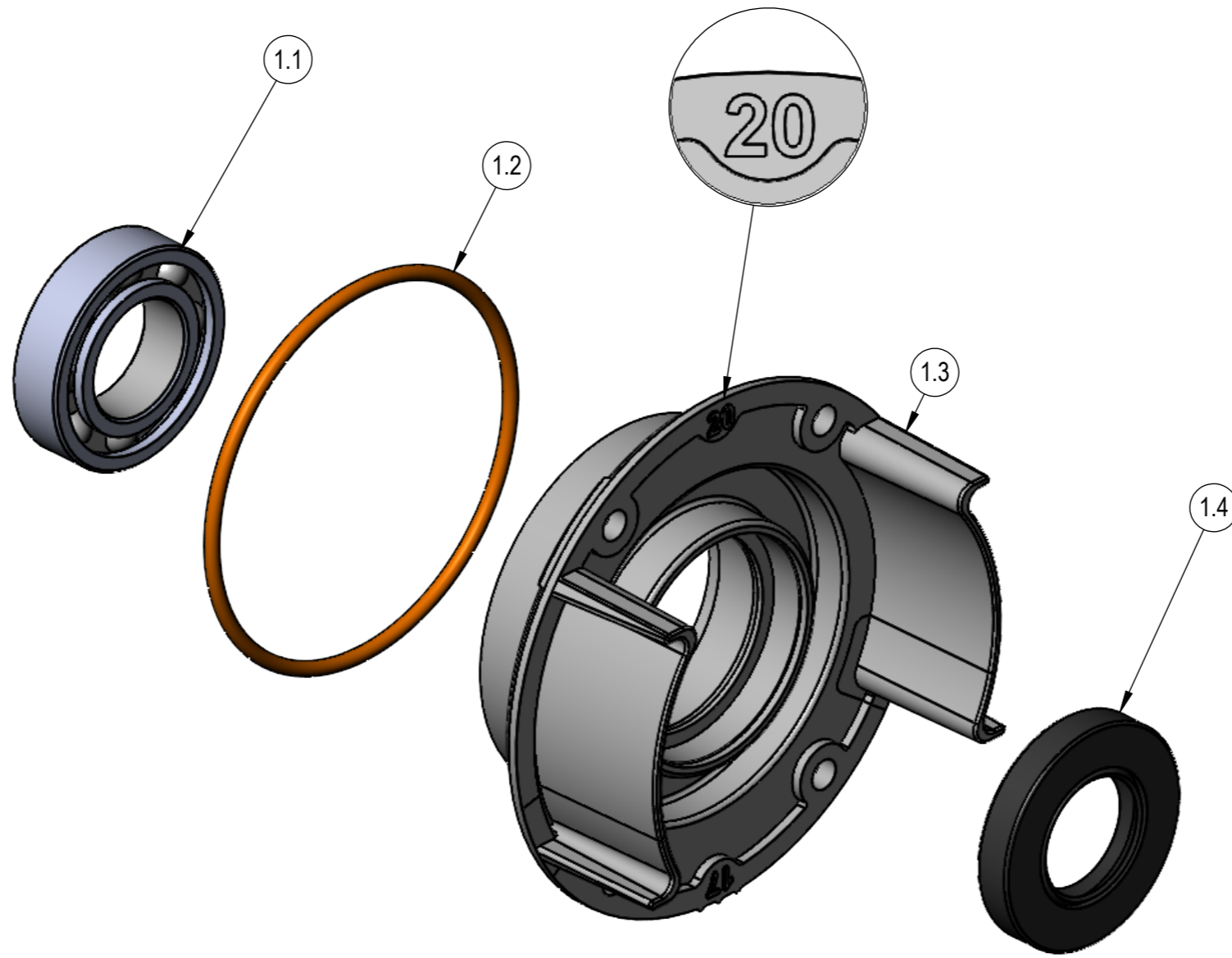
CENTURION
Tel: (011) 699-2400
Fax: (011) 704-3412

THE INFORMATION CONTAINED IN THIS DRAWING IS THE SOLE PROPERTY OF CENTURION SYSTEMS ANY REPRODUCTION IN PART OR WHOLE WITHOUT THE WRITTEN PERMISSION OF CENTURION SYSTEMS IS PROHIBITED

Title:
D10 Turbo Smart Assembly (Sales)

Sheet No: 6 of 13
Drg. No: 1271.M.ASY.30.00
Rev: 0

ITEM No.	QTY	TITLE	Drawing Number	PART No.	Saleable Items
1	1	D10S Pinion Guard Sub-Assembly	1271.M.ASY.33.00	1271MASY3300	Yes
1.1	1	Bearing 6005-Plain (25x47x12)	STD ITEM	BB60050000	Yes
1.2	1	O-Ring, ID79 x 3	STD ITEM	BB/OR790X30C	Yes
1.3	1	D10S Pinion Guard	1271.M.014.V1.00	1271M014V100	Yes
1.4	1	Oil seal 25x48x8 TC	STD ITEM	BB/OS25488	Yes



Material:	General tolerances: Unless Otherwise Specified	Mass: g
Corrosion protection:	0 +/- 0.5mm	Volume: 5840275.20mm ³
Colour:	0.0 +/- 0.2mm	Drawn by: BL
Part No:	0.00 +/- 0.1mm	Issued:
	0.000 +/- 0.01mm	Scale: ----
	Angular +/- 0.1°	

- All dimensions in mm.
 Steel Parts
 - Deburr all sharp edges
 Plastic Parts
 - Free from flash

A3

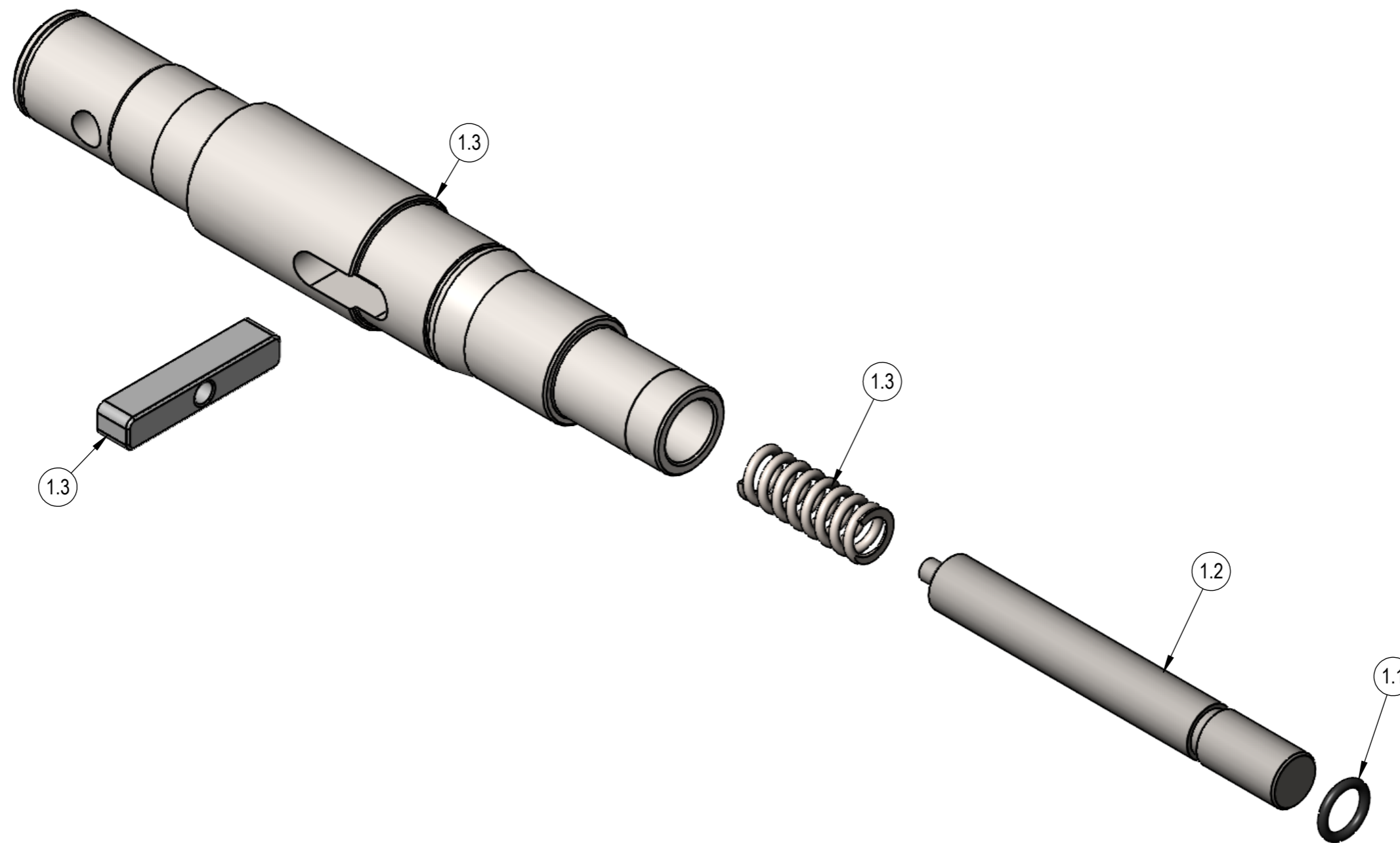
THE INFORMATION CONTAINED IN THIS DRAWING IS THE SOLE PROPERTY OF CENTURION SYSTEMS ANY REPRODUCTION IN PART OR WHOLE WITHOUT THE WRITTEN PERMISSION OF CENTURION SYSTEMS IS PROHIBITED



Title:
D10 Turbo Smart Assembly (Sales)

Sheet No: 7 of 13
 Drg. No: 1271.M.ASY.30.00
 Rev: 0

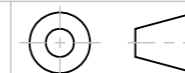
ITEM No.	QTY	TITLE	Drawing Number	PART No.	Saleable Item
1	1	D10S Output Shaft & Release Pin Assembly	1271.M.ASY.17.00	1271MASY1700	Yes
1.1	1	O-Ring, ID10 x 2	STD ITEM	BB/OR-10X2	No
1.2	1	D10S Release Pin	1271.M.011.V1.00	1271M011V100	No
1.3	1	D10S Main Shaft (Incl Spring, Key)	1271.M.010.V1.00	1271M010V100	No



Material: ----	General tolerances: <u>Unless Otherwise Specified</u>	Mass: g
Corrosion protection: ----	0 +/- 0.5mm	Volume: 5840275.20mm ³
Colour: ----	0.0 +/- 0.2mm	Drawn by: BL
	0.00 +/- 0.1mm	Issued: 2021-10-06
	0.000 +/- 0.01mm	
Part No: See BOM	Angular +/- 0.1°	Scale: ----

- All dimensions in mm.
Steel Parts
- Deburr all sharp edges
Plastic Parts
- Free from flash

A3



Title:
D10 Turbo Smart Assembly (Sales)

THE INFORMATION CONTAINED IN THIS DRAWING IS THE SOLE PROPERTY OF CENTURION SYSTEMS ANY REPRODUCTION IN PART OR WHOLE WITHOUT THE WRITTEN PERMISSION OF CENTURION SYSTEMS IS PROHIBITED

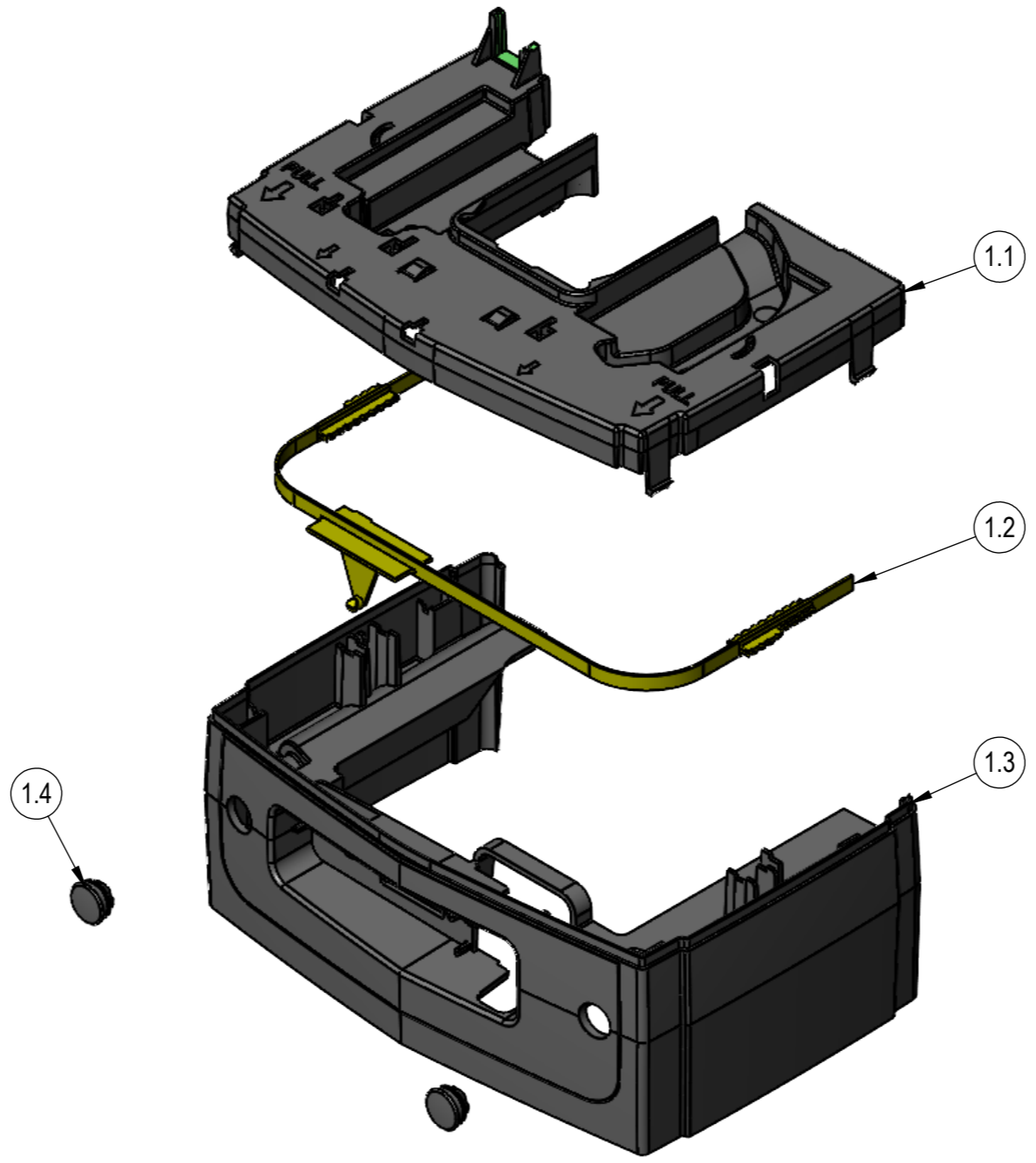
Tel: (011) 699-2400
Fax: (011) 704-3412

Sheet No:
8 of 13

Drg. No:
1271.M.ASY.30.00

Rev:
0

ITEM No.	QTY	TITLE	Drawing Number	PART No.	Saleable Items
1	1	D10S Lower Battery Tray Sub Assembly	1271.M.ASY.19.00	1271MASY1900	Yes
1.1	1	D10S Lower Battery Tray	1271.M.007.V1.00	1271M007V100	No
1.2	1	D10S Cam Driven Slide	1271.M.012.V1.00	1271M012V100	No
1.3	1	D10S Gearbox Trim	1271.M.006.V1.00	1271M006V100	Yes
1.4	2	D10S Gearbox Trim Plug	1271.M.034.V1.00	1271M034V100	Yes



Material: ---	General tolerances: Unless Otherwise Specified	Mass: g
Corrosion protection: ---	0 +/- 0.5mm	Volume: 5840275.20mm ³
Colour: ---	0.0 +/- 0.2mm	Drawn by: BL
Part No: ---	0.00 +/- 0.1mm	Issued: 2021-10-06
---	0.000 +/- 0.01mm	Scale: ---
---	Angular +/- 0.1°	

- All dimensions in mm.
 Steel Parts
 - Deburr all sharp edges
 Plastic Parts
 - Free from flash

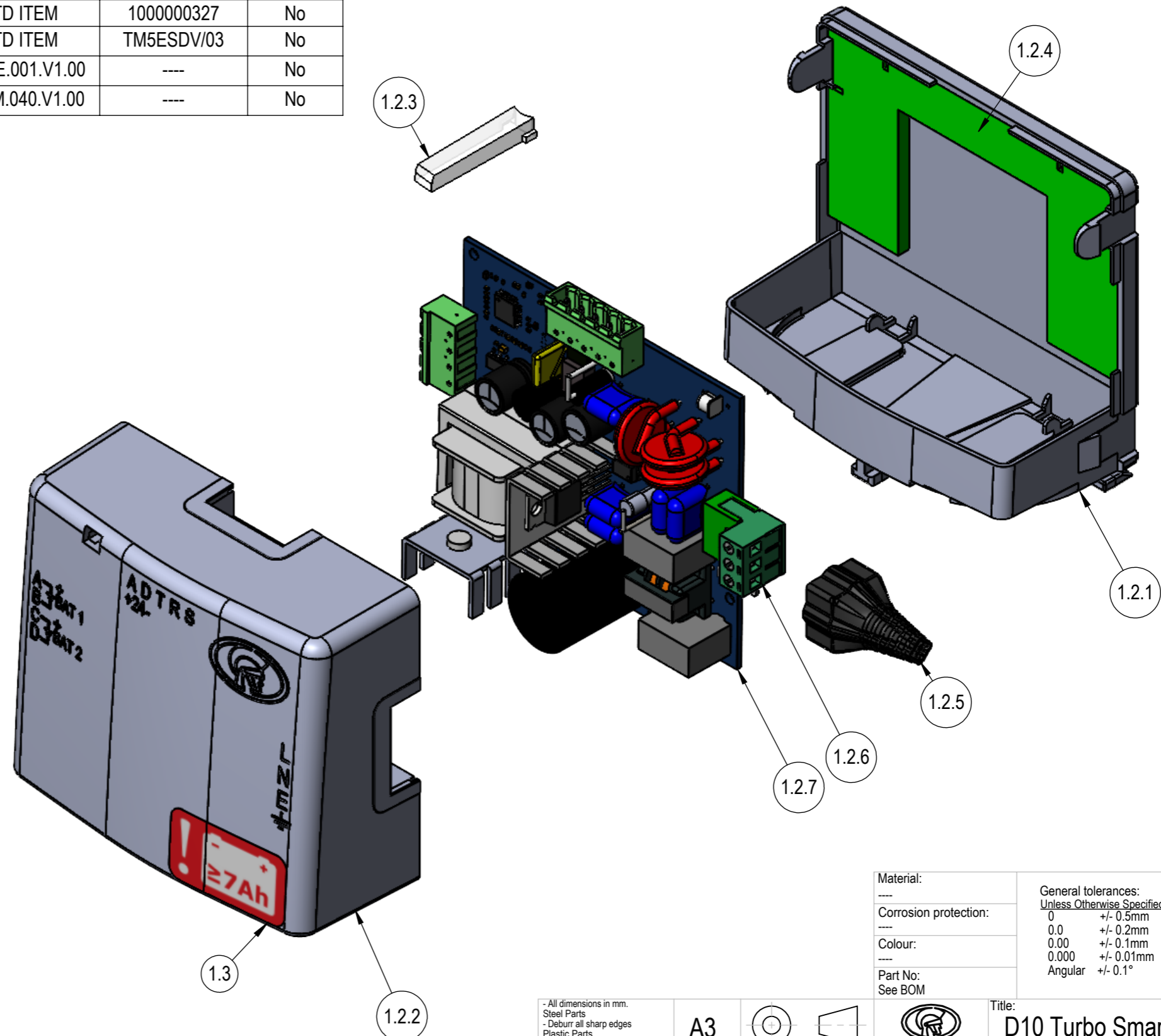
A3

THE INFORMATION CONTAINED IN THIS DRAWING IS THE SOLE PROPERTY OF CENTURION SYSTEMS ANY REPRODUCTION IN PART OR WHOLE WITHOUT THE WRITTEN PERMISSION OF CENTURION SYSTEMS IS PROHIBITED

CENTURION Sheet No: 9 of 13 Title: **D10 Turbo Smart Assembly (Sales)** Drg. No: 1271.M.ASY.30.00 Rev: 0

Tel: (011) 699-2400 Fax: (011) 704-3412

ITEM No.	QTY	TITLE	Drawing Number	PART No.	Saleable Items
1	1	Dx Smart Charger 27.4V 1.8Amp (D10S) Boxed	----	DX2CHGRV00	Yes
1.1	1	Box CP75/ 77/ 91/ 200 200 x 140 x 60 Centsys	----	CP77BOXAU	No
1.2	1	D10S Charger Assembly	1271.M.ASY.09.00	PCA12717V1_DX2	Yes
1.2.1	1	D5S1 Charger Enclosure Base	1401.M.028.V1.00	1401M028V100	No
1.2.2	1	D5S1 Charger Enclosure Lid	1401.M.029.V1.00	1401M029V100	No
1.2.3	1	D5S1 Charger Light Pipe	1401.M.062.V1.00	1401M062V100	No
1.2.4	1	Charger Ant Seal	1401.M.106.V1.00	1401M106V100	No
1.2.5	1	Silicone Mains Connector Cover	STD ITEM	100000327	No
1.2.6	1	Degson 2EDG - 5.08mm 3 Way	STD ITEM	TM5ESDV/03	No
1.2.7	1	D10S Charger Assembly PCB	1271.E.001.V1.00	----	No
1.3	1	DX2-Smart Charger 7Ah Sticker	1271.M.040.V1.00	----	No



Material: ----	General tolerances: Unless Otherwise Specified	Mass: g
Corrosion protection: ----	0 +/- 0.5mm	Volume: 5840275.20mm ³
Colour: ----	0.0 +/- 0.2mm	Drawn by: BL
Part No: See BOM	0.00 +/- 0.1mm	Issued: 2021-10-06
	0.000 +/- 0.01mm	Scale: ----
	Angular +/- 0.1°	

- All dimensions in mm.
 Steel Parts
 - Deburr all sharp edges
 Plastic Parts
 - Free from flash

A3

THE INFORMATION CONTAINED IN THIS DRAWING IS THE SOLE PROPERTY OF CENTURION SYSTEMS ANY REPRODUCTION IN PART OR WHOLE WITHOUT THE WRITTEN PERMISSION OF CENTURION SYSTEMS IS PROHIBITED

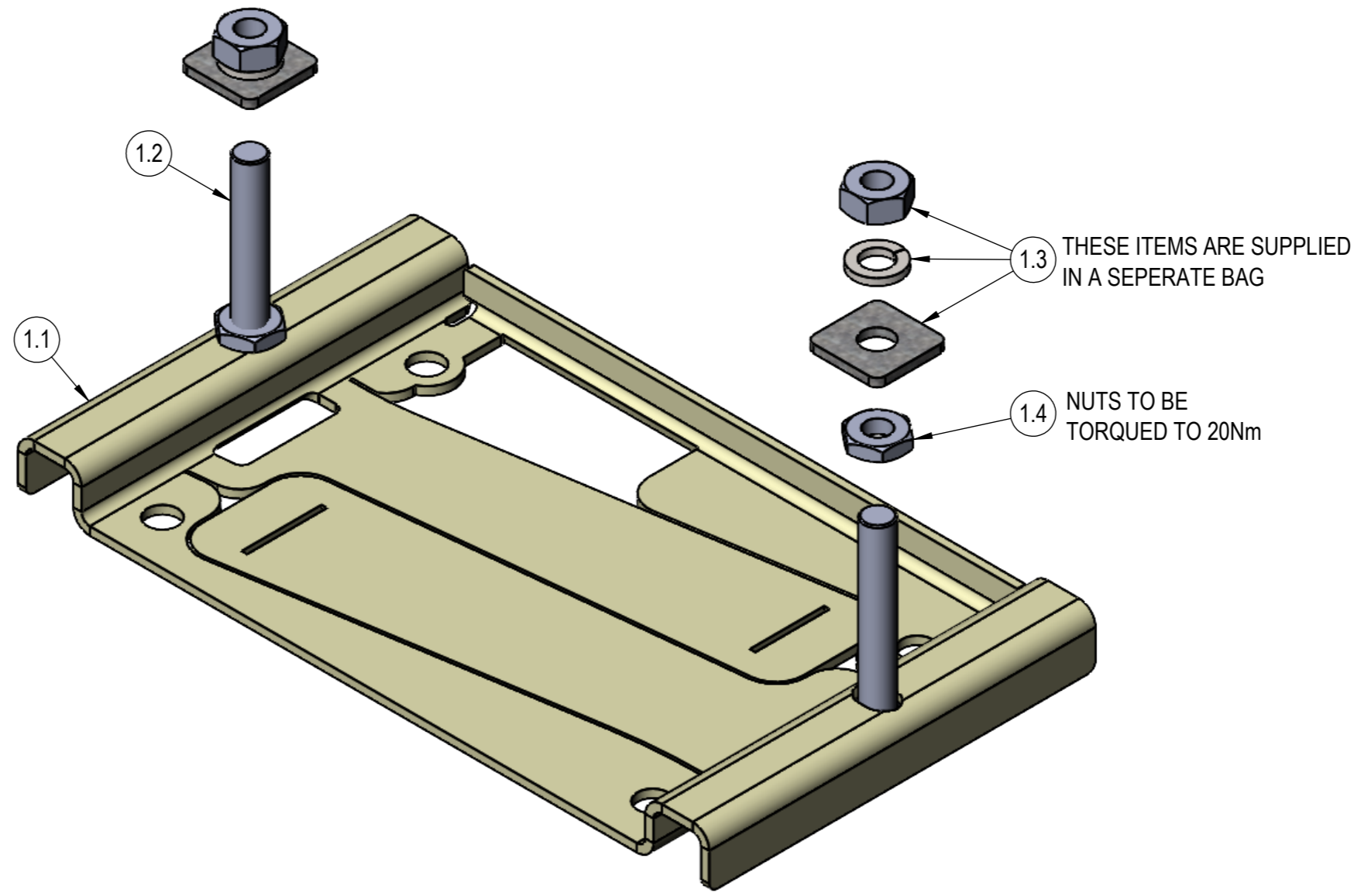
CENTURION

Tel: (011) 699-2400
 Fax: (011) 704-3412

Title:
D10 Turbo Smart Assembly (Sales)

Sheet No: 10 of 13
 Drg. No: 1271.M.ASY.30.00
 Rev: 0

ITEM No.	QTY	TITLE	Drawing Number	PART No.	Saleable Items
1	1	D10S Foundation Plate & Fastener Assembly	1271.M.ASY.18.00	1271MASY1800	Yes
1.1	1	A10/D10 Foundation Plate V2	1114.M.13.02.00	11141302V2	Yes
1.2	2	SET SCREW HT GALV M10 x 60mm	STD ITEM	B121310060	Yes
1.3	1	D10S Fastener Kit	1271.M.ASY.11.00	1271SUB001	Yes
1.4	2	NUT HALF GALV M10 RH, MS, Zinc Plated, 17mm A/F	STD ITEM	N220110000	Yes



Material: ----	General tolerances: <u>Unless Otherwise Specified</u>	Mass: g
Corrosion protection: ----	0 +/- 0.5mm	Volume: 5840275.20mm ³
Colour: ----	0.0 +/- 0.2mm	Drawn by: BL
	0.00 +/- 0.1mm	Issued: 2021-10-06
	0.000 +/- 0.01mm	
	Angular +/- 0.1°	
Part No: See BOM		Scale: ----

- All dimensions in mm.
 Steel Parts
 - Deburr all sharp edges
 Plastic Parts
 - Free from flash

A3

THE INFORMATION CONTAINED IN THIS DRAWING IS THE SOLE PROPERTY OF CENTURION SYSTEMS ANY REPRODUCTION IN PART OR WHOLE WITHOUT THE WRITTEN PERMISSION OF CENTURION SYSTEMS IS PROHIBITED

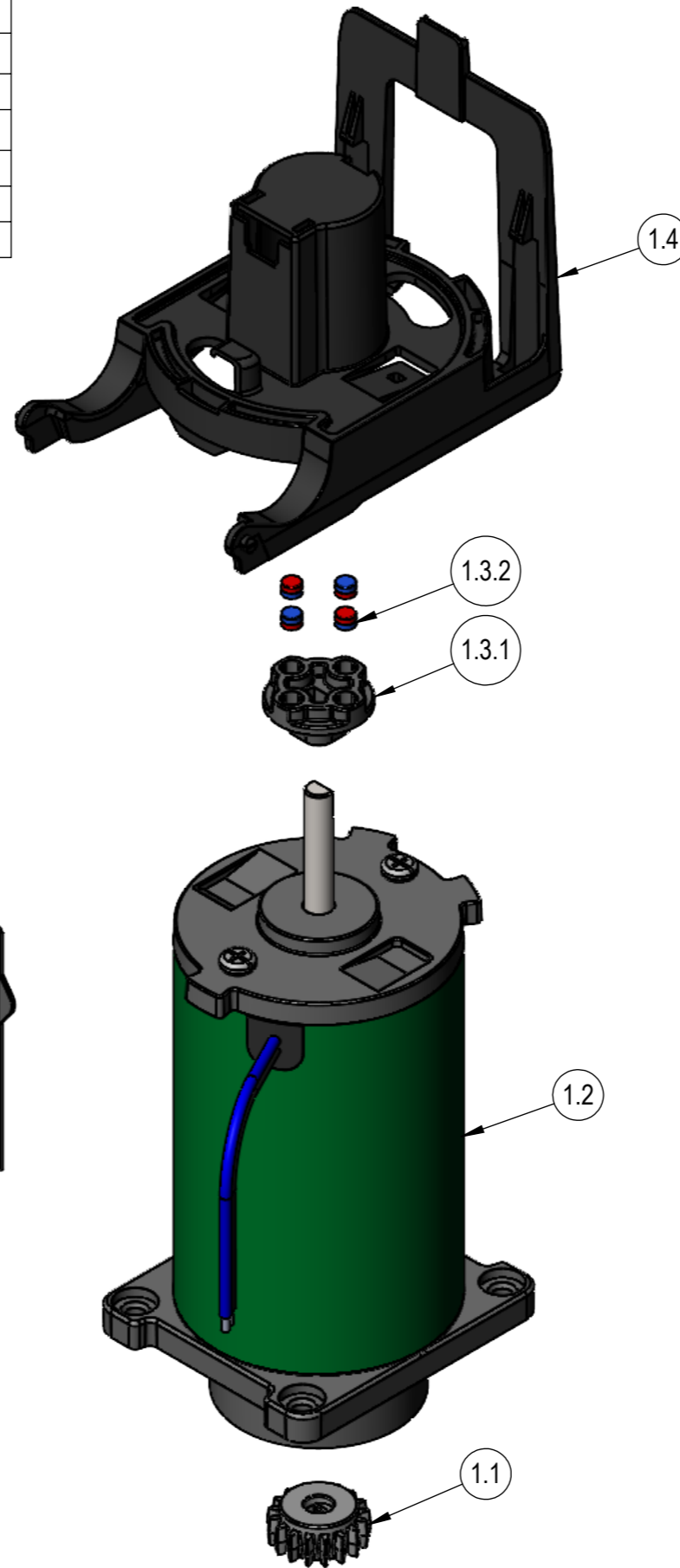
CENTURION

Tel: (011) 699-2400
 Fax: (011) 704-3412

Title:
D10 Turbo Smart Assembly (Sales)

Sheet No: 11 of 13
 Drg. No: 1271.M.ASY.30.00
 Rev: 0

ITEM No.	QTY	TITLE	Drawing Number	PART No.	Saleable Items
1	1	D10S Motor Sub Assembly	1271.M.ASY.32.00	1271MASY3200	Yes
1.1	1	D5S1 Drive Coupling Motor Side	1401.M.045.V1.00	1401M045V100	Yes
1.2	1	Motor D5 Smart S1 80ZY24-130 24V DC Linix	1401.M.ASY.09.00	MT80ZY241300	Yes
1.3	1	Multiple Magnet Holder Assembly	1401.M.ASY.16.00	1401MASY1600	Yes
1.4	1	D5S1 Motor Bracket	1401.M.015.V1.00	1401M015V100	Yes
1.5	1	D5S1 CABLE TRUNKING	1401.M.095.V1.00	1401M095V100	Yes
1.6	1	Box D10 DC Motor 115x98x207 C-Flute Folf	----	BOXMTRD101	No



Material: ----	General tolerances: <u>Unless Otherwise Specified</u>	Mass: g
Corrosion protection: ----	0 +/- 0.5mm	Volume: 5840275.20mm³
Colour: ----	0.0 +/- 0.2mm	Drawn by: BL
	0.00 +/- 0.1mm	Issued: 2021-10-06
	0.000 +/- 0.01mm	Scale: ----
Part No: See BOM	Angular +/- 0.1°	

- All dimensions in mm.
 Steel Parts
 - Deburr all sharp edges
 Plastic Parts
 - Free from flash

A3

THE INFORMATION CONTAINED IN THIS DRAWING IS THE SOLE PROPERTY OF CENTURION SYSTEMS ANY REPRODUCTION IN PART OR WHOLE WITHOUT THE WRITTEN PERMISSION OF CENTURION SYSTEMS IS PROHIBITED

CENTURION

Tel: (011) 699-2400
 Fax: (011) 704-3412

Sheet No: 12 of 13

Dr. No: 1271.M.ASY.30.00

Rev: 0

Title: **D10 Turbo Smart Assembly (Sales)**

1 2 3 4 5 6

A

B

C

D

A

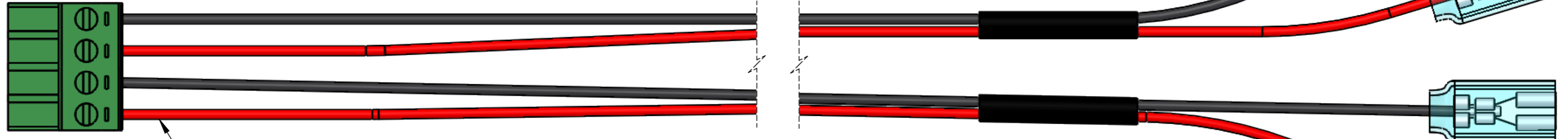
B

C

D



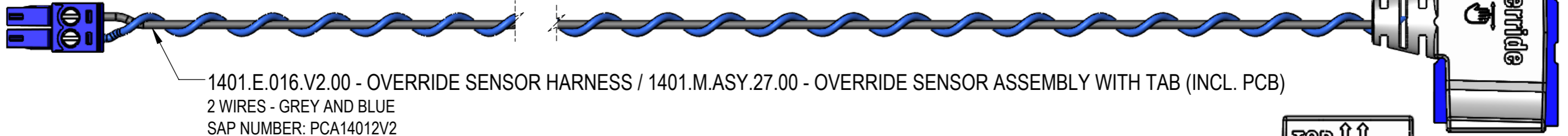
1401.E.012.V2.00 - MAIN CONTROLLER HARNESS
WIRES - RED, BLACK, GREY & PURPLE
SAP NUMBER: WH1401E01200



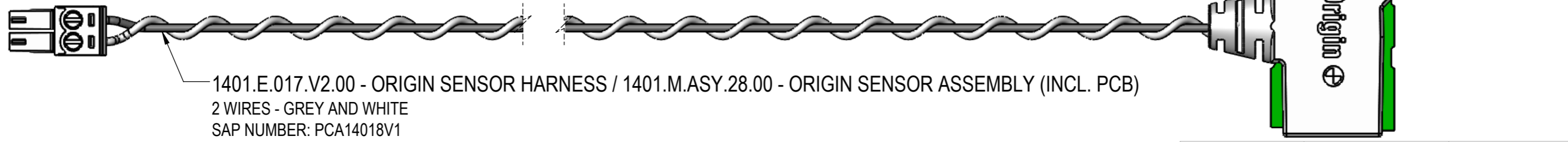
1401.E.013.V1.00 - BATTERY HARNESS
4 WIRES - RED AND BLACK
SAP NUMBER: WH1401E01300



1271.E.002.V1.00 - D10S EARTH HARNESS
1 WIRE - YELLOW AND GREEN TWIST
SAP NUMBER: WH1271E002



1401.E.016.V2.00 - OVERRIDE SENSOR HARNESS / 1401.M.ASY.27.00 - OVERRIDE SENSOR ASSEMBLY WITH TAB (INCL. PCB)
2 WIRES - GREY AND BLUE
SAP NUMBER: PCA14012V2



1401.E.017.V2.00 - ORIGIN SENSOR HARNESS / 1401.M.ASY.28.00 - ORIGIN SENSOR ASSEMBLY (INCL. PCB)
2 WIRES - GREY AND WHITE
SAP NUMBER: PCA14018V1

Material: ----	General tolerances: Unless Otherwise Specified	Mass: g
Corrosion protection: ----	0 +/- 0.5mm	Volume: 5840275.20mm ³
Colour: ----	0.0 +/- 0.2mm	Drawn by: BL
Part No: ----	0.00 +/- 0.1mm	Issued: 2021-10-06
	0.000 +/- 0.01mm	Scale: ----
	Angular +/- 0.1°	

- All dimensions in mm.
Steel Parts
- Deburr all sharp edges
Plastic Parts
- Free from flash

A3

THE INFORMATION CONTAINED IN THIS DRAWING IS THE SOLE PROPERTY OF CENTURION SYSTEMS ANY REPRODUCTION IN PART OR WHOLE WITHOUT THE WRITTEN PERMISSION OF CENTURION SYSTEMS IS PROHIBITED

CENTURION

Tel: (011) 699-2400
Fax: (011) 704-3412

1271.M.ASY.30.00

Sheet No: 13 of 13
Drg. No: 1271.M.ASY.30.00
Rev: 0

D10 Turbo Smart Assembly (Sales)

1 2 3 4 5 6