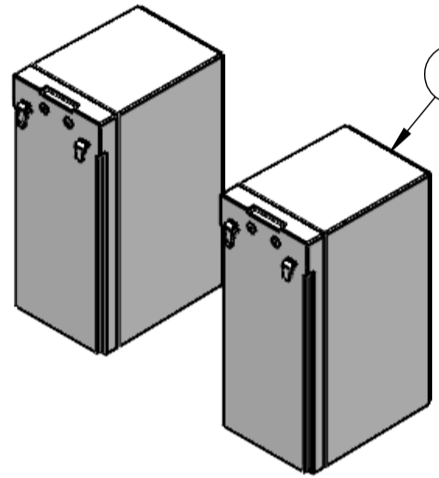
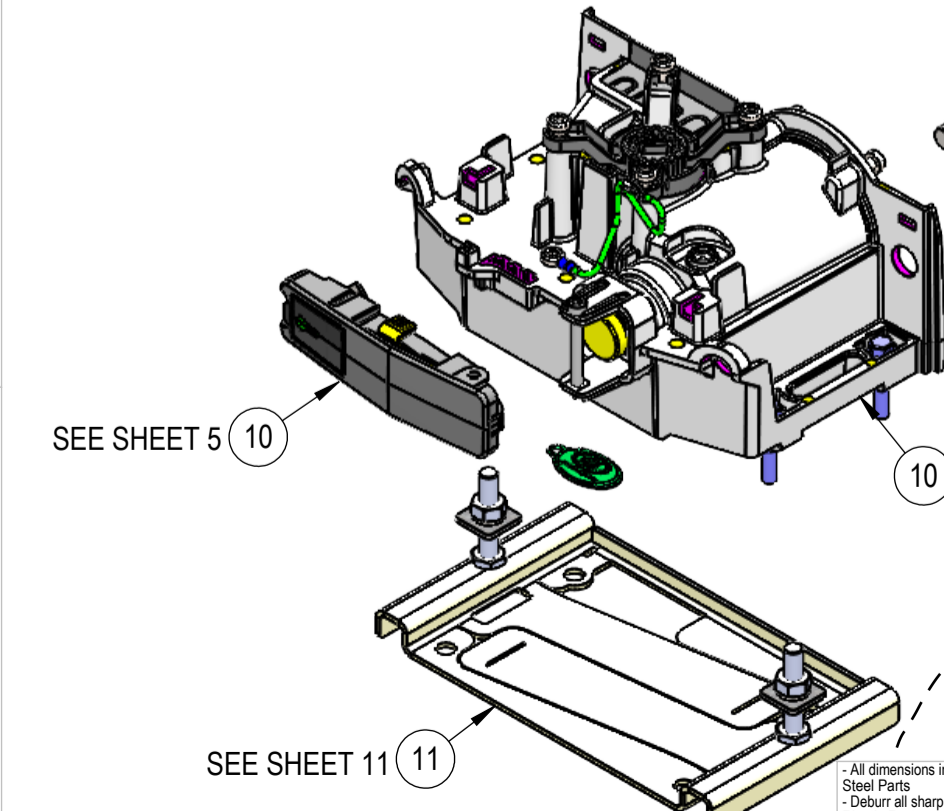
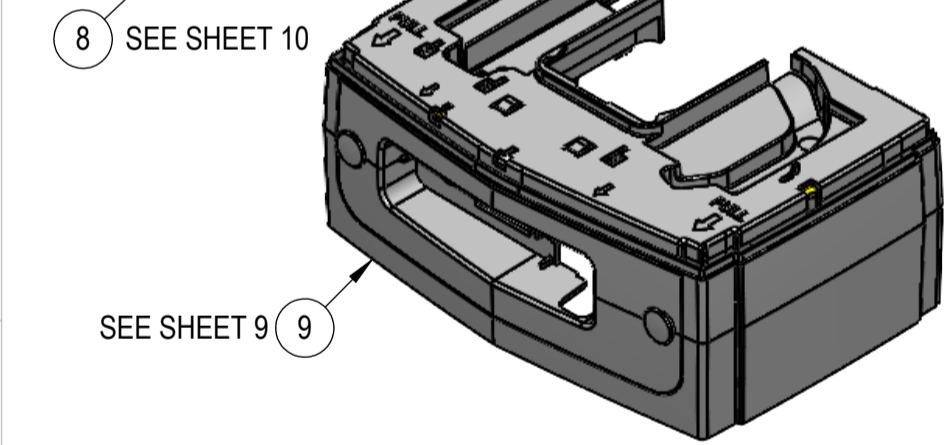
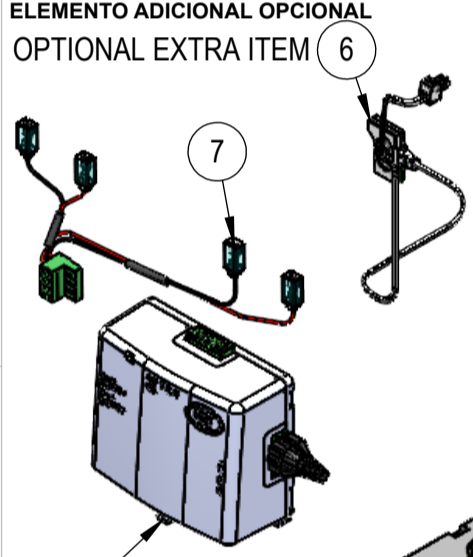
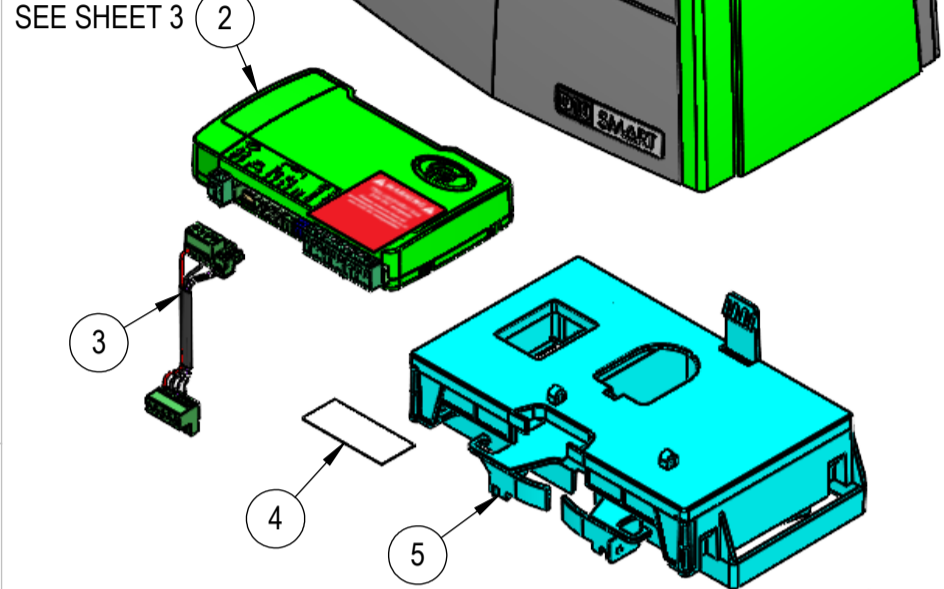


ITEM No.	QTY	TITLE	Drawing Number	PART No.	Saleable Items
1	1	D10S Cover Assembly - Centurion / Centsys	See Sheet 2	See Sheet 2	Yes
2	1	Smart Controller V2 Assy	1271.M.ASY.10.00	PCA12713V3.0	Yes
3	1	D5S1 Main Controller Harness	1401.E.012.V2.00	WH1401E012V2	Yes
4	1	LABEL D5S1 MOBILE APP 25MM X 60MM	STD DOC	LABELMOBAPP1	No
5	1	D5S1 Controller Platform Assy	1401.M.069.V1.00	1401M069V100	Yes
6	1	D5S1 Origin Sensor Assembly V2	1401.M.ASY.28.00	PCA14018V1	Yes
7	1	D5S1 Battery Harness	1401.E.013.V1.00	W1401E01300	Yes
8	1	D10S Charger Assy	1271.M.ASY.09.00	PCA12717V1_DX2	Yes
9	1	D10S Lower Battery Tray Sub Assembly	1271.M.ASY.19.00	1271MASY1900	Yes
10	1	D10S Gearbox Sub Assembly	1271.M.ASY.23.00	1271MASY2300	Yes
11	1	D10S Foundation Plate & Fastener Assembly	1271.M.ASY.18.00	1271MASY1800	Yes
12	1	D5S1 Override Sensor Assembly with Tab	1401.M.ASY.27.00	1401MASY27V2	Yes
13	1	D10S Motor Sub Assembly	1271.M.ASY.32.00	1271MASY3200	Yes
14	2	Battery Centurion WP7.2-12 7.2 AH 12V	STD ITEM	CP4C2	Yes



**ELEMENTO ANCILAR**

14 ANCILLARY ITEM

**VER HOJA 13 PARA LOS ARNESES**

12 SEE SHEET 13 FOR HARNESES

**VER HOJA:**  
 6 - Montaje del eje de salida  
 7 - Montaje de la protección del piñón  
 8 - Montaje del eje de salida y perno de liberación

10 SEE SHEET:  
 6 - Output Shaft Assembly  
 7 - Pinion Guard Sub-Assembly  
 8 - Output Shaft & Release Pin Assembly

**Montaje D10S (Ventas)**

Material: Protección anticorrosiva: N/A  
 Color:  
 Número de pieza:

Material:	General tolerances: Unless Otherwise Specified	Mass: g
Corrosion protection:	0 +/- 0.5mm	Volume: 5804234.43mm³
Colour:	0.0 +/- 0.2mm	Drawn by: BL
Part No:	0.00 +/- 0.1mm	Issued: 2021-09-29
	0.000 +/- 0.01mm	Scale: NOT TO ANY SCALE
	Angular +/- 0.1°	

Tolerancias generales:  
 A menos que se especifique lo contrario  
 Masa:  
 Volumen:  
 Dibujado por:  
 Emitido por:  
 Escala: NO A NINGUNA ESCALA

Todas las dimensiones en mm.  
 Steel Parts  
 - Deburrr all sharp edges  
 Plastic Parts  
 - Free from flash

The INFORMATION CONTAINED IN THIS DRAWING IS THE SOLE PROPERTY OF CENTURION SYSTEMS ANY REPRODUCTION IN PART OR WHOLE WITHOUT THE WRITTEN PERMISSION OF CENTURION SYSTEMS IS PROHIBITED



Title: <b>D10S Assembly (Sales)</b>	Sheet No: 1 de 13	Drg. No: 1271.M.ASY.13.00	Ref: 0
-------------------------------------	-------------------	---------------------------	--------

Nº de hoja:  
 Nº de dibujo:  
 Ref:

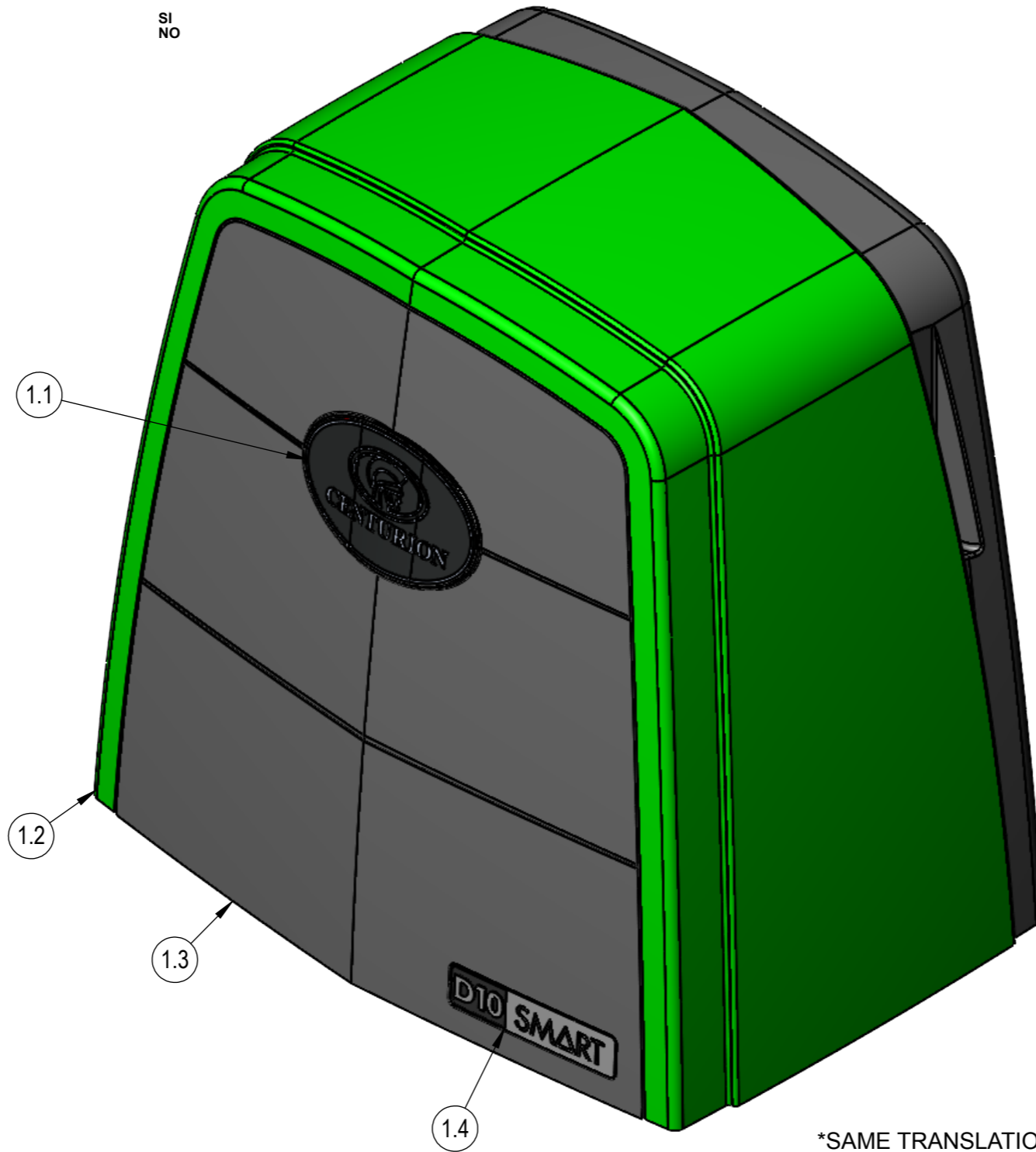
APPROVED

ITEM No.	QTY	TITLE	Drawing Number	PART No.	Saleable Items
1	1	D10S Cover Assembly - Centurion	1271.M.ASY.14.00	1271MASY1400	Yes
		D10S Cover Assembly - Centsys	1271.M.ASY.20.00	1271MASY2000	Yes
1.1	1	Badge Logo Centurion 80,63 x 52mm Alu	1401.M.005.V1.00	M-BADGECEN01	No
		Badge Logo Centsys 80,63 x 52mm Alu	1401.M.058.V1.00	M-BADGECEN02	No
1.2	1	D10S Top Cover Trim	1271.M.004.V1.00	1271M004V100	No
1.3	1	D10S Top Cover	1271.M.003.V1.00	1271M003V100	No
1.4	1	D10S Name Badge	1271.M.008.V1.00	M-BADGESMRTD10	No

Número de referencia - CANTIDAD - TITULO - NUMERO DE DIBUJO - NUMERO DE PIEZA - ARTICULOS EN VENTA

Montaje de la cubierta del D10 S - Centurion  
 Montaje de la cubierta del D10 S - Centsys  
 Logotipo Centurion 80,63 x 52mm Aluminio  
 Logotipo Centsys 80,63 x 52mm Aluminio  
 Recorte de la cubierta superior D10 S  
 Cubierta superior del D10 S  
 Placa de identificación D10 S

SI  
NO



### Montaje D10S (Ventas)

**ATENCIÓN: Disponibles las variantes de las cubierta Centurion y Centsys**

PLEASE NOTE: Centurion and Centsys Cover Varients Available

Material: ----	General tolerances: <u>Unless Otherwise Specified</u>	Mass: g
Corrosion protection: ----	0 +/- 0.5mm	Volume: 5804234.43mm³
Colour: ----	0.0 +/- 0.2mm	Drawn by: BL
	0.00 +/- 0.1mm	Issued: 2021-09-29
Part No: See BOM	0.000 +/- 0.01mm	Scale: ----
	Angular +/- 0.1°	

\*SAME TRANSLATION AS ABOVE

- All dimensions in mm.  
 Steel Parts  
 - Deburr all sharp edges  
 Plastic Parts  
 - Free from flash

A3



Title:

D10S Assembly (Sales)

Sheet No:  
2 of 13

Drg. No:

1271.M.ASY.13.00

Rev:  
0

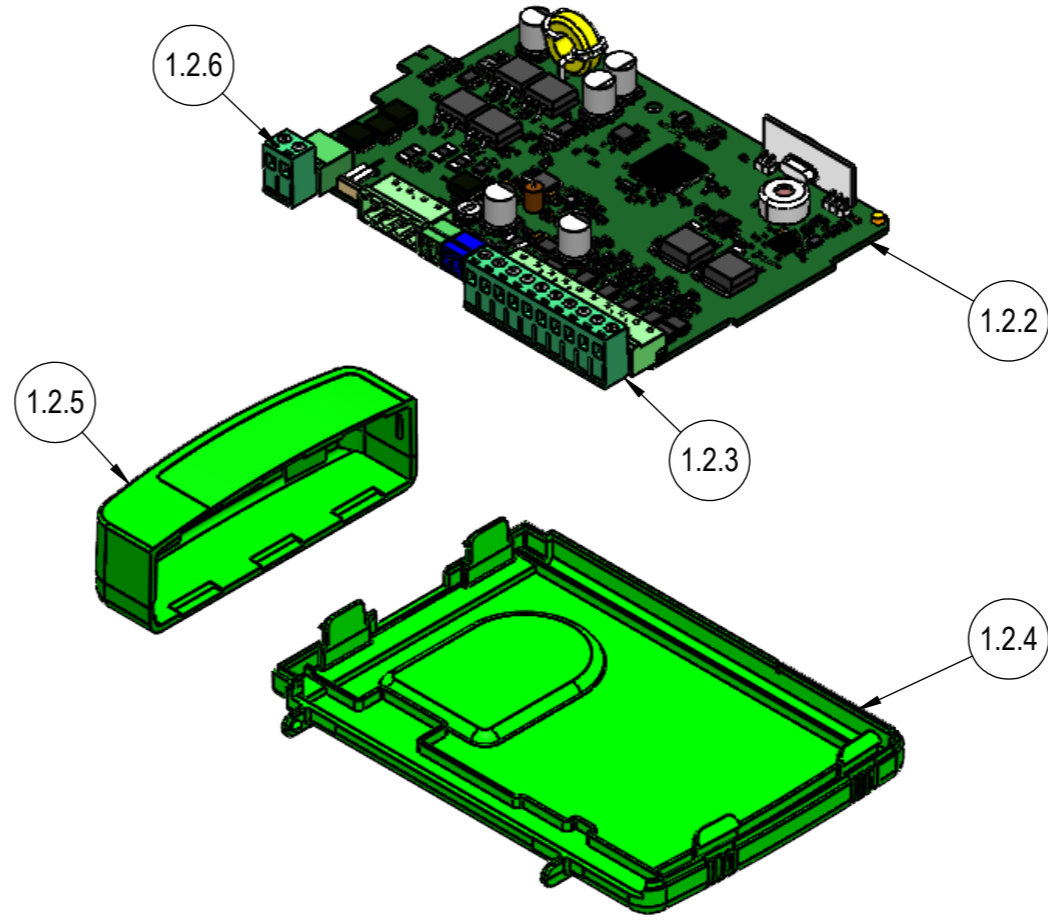
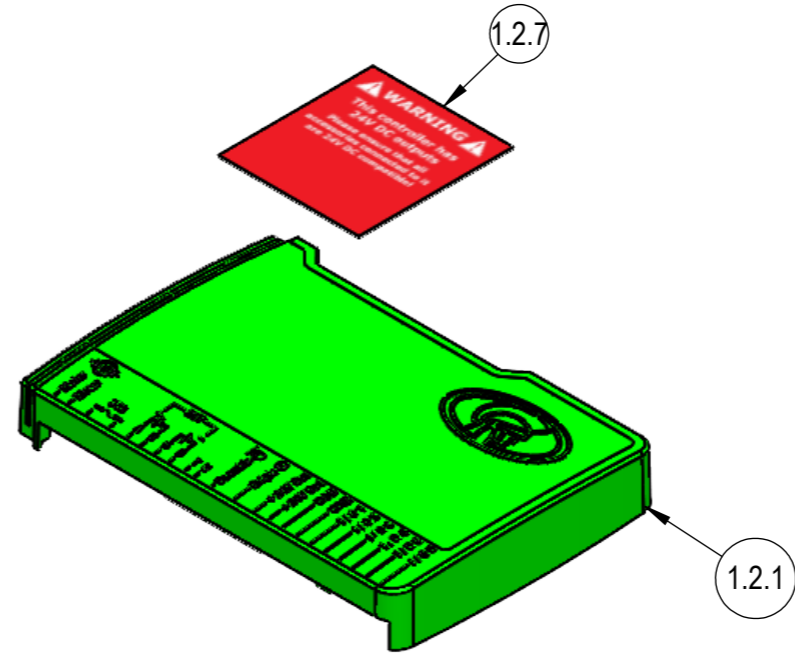
THE INFORMATION CONTAINED IN THIS DRAWING IS THE SOLE PROPERTY OF CENTURION SYSTEMS ANY REPRODUCTION IN PART OR WHOLE WITHOUT THE WRITTEN PERMISSION OF CENTURION SYSTEMS IS PROHIBITED

Tel: (011) 699-2400  
 Fax: (011) 704-3412

ITEM No.	QTY	TITLE	Drawing Number	PART No.	Saleable Items
1	1	D10 Smart Controller PCB Assy Boxed	----	DXSC-S20V0	Yes
1.1	1	Box D5 Evo CC, D10, Sector Control Card	----	BOX1010D5CC0	No
1.2	1	Smart Controller V2	1271.M.ASY.10.00	PCA12713V3.0	Yes
1.2.1	1	D10S Control Card Enclosure Top	1271.M.024.V1.00	1271M024V100	No
1.2.2	1	Dx Controller PCB	1271.E.003.V1.00	PCB12713V3.0	No
1.2.3	1	Degson 2EDG - 5.0mm 10 Way Plug	----	TM5ESDV/10	No
1.2.4	1	D5S1 Control Card Enclosure Bottom	1401.M.047.V1.00	1401M047V100	No
1.2.5	1	D5S1 Control Card Enclosure Side Cover	1401.M.048.V1.00	1401M048V100	No
1.2.6	1	Degson 2EDG - 5.08mm 2 Way Plug	----	TM5ESDV/02	No
1.2.7	1	DX-SMART 24V DC Output Sticker	1401.D.05.0011	1401D0500011	No

\*SAME TRANSLATION AS ABOVE

**Controlador Smart D10 Montaje de la PCB - en caja**  
**Caja D5 Evo CC, D10, controlador Sector**  
**Controlador Smart V2**  
**Carcasa del controlador D10S - Parte superior**  
**PCB del controlador Dx**  
**Degson 2EDG - Enchufe de 10 canales de 5,0 mm**  
**Carcasa del controlador D5S1 - Parte inferior**  
**Cubierta lateral del controlador D5S1**  
**Degson 2EDG - Enchufe de 2 canales de 5,08 mm**  
**Calcomanía de salida DX-SMART 24V DC**



\*SAME TRANSLATION AS ABOVE

Material: ----	General tolerances: <u>Unless Otherwise Specified</u> 0 +/- 0.5mm 0.0 +/- 0.2mm 0.00 +/- 0.1mm 0.000 +/- 0.01mm Angular +/- 0.1°	Mass: g Volume: 5804234.43mm³ Drawn by: BL Issued: 2021-09-29 Scale: ----
-------------------	--	---

- All dimensions in mm.  
 Steel Parts  
 - Deburr all sharp edges  
 Plastic Parts  
 - Free from flash

A3

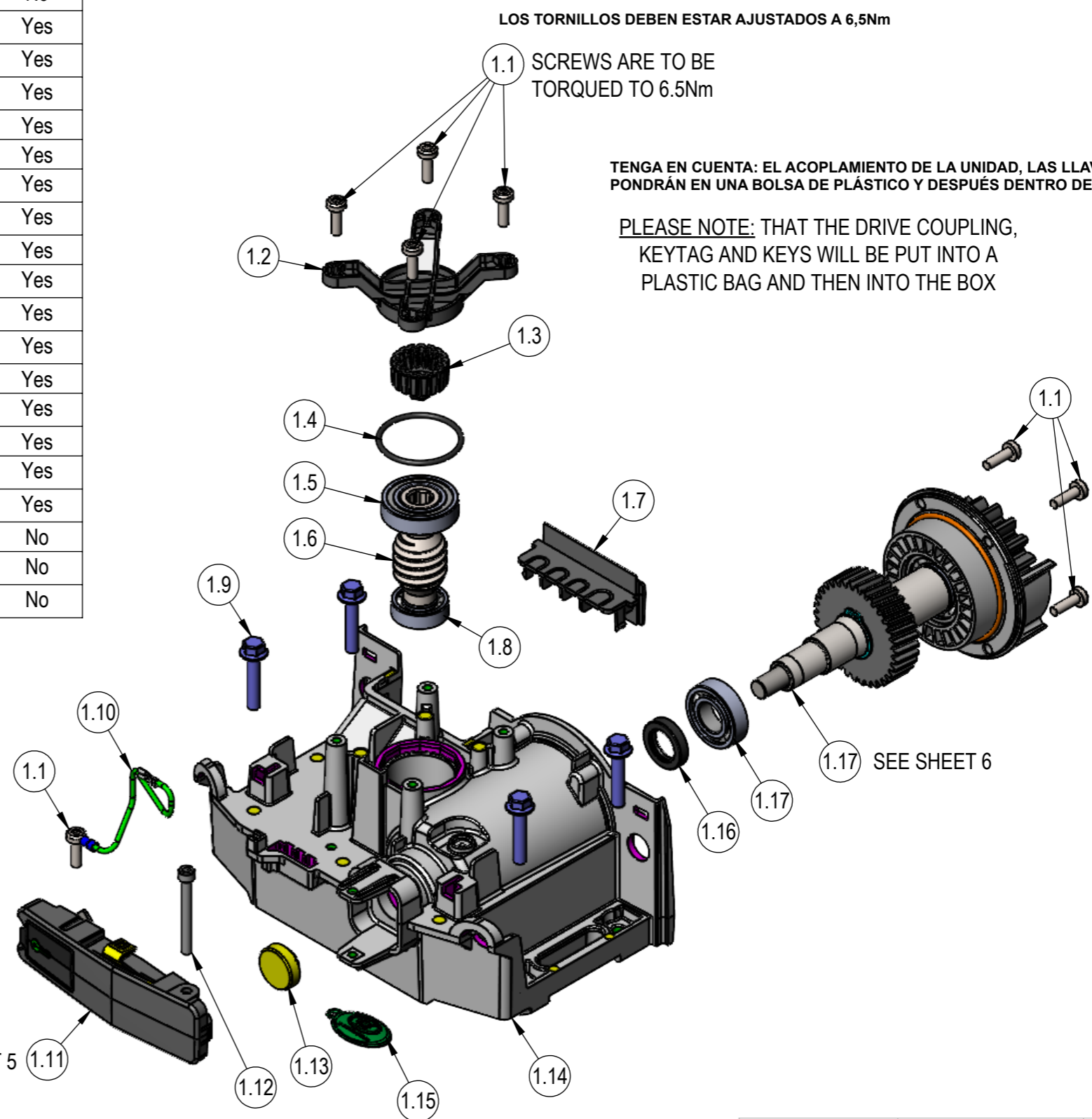
THE INFORMATION CONTAINED IN THIS DRAWING IS THE SOLE PROPERTY OF CENTURION SYSTEMS ANY REPRODUCTION IN PART OR WHOLE WITHOUT THE WRITTEN PERMISSION OF CENTURION SYSTEMS IS PROHIBITED

Material: CENTURION  
 Tel: (011) 699-2400  
 Fax: (011) 704-3412

Title: D10S Assembly (Sales)  
 Sheet No: 3 of 13  
 Drg. No: 1271.M.ASY.13.00  
 Rev: 0

ITEM No.	QTY	TITLE	Drawing Number	PART No.	Saleable Items
1	1	D10S Gearbox Sub Assembly	1271.M.ASY.23.00	1271MASY2300	Yes
1.1	9	TORX TAPTITE M6X20 (304SS)	STD ITEM	B2275TX620SS	Yes
1.2	1	Bearing Retaining Bracket	1271.M.035.V1.00	1271M035V100	No
1.3	1	D5S1 Drive Coupling wormshaft side	1401.M.044.V1.00	1401M044V100	Yes
1.4	1	O-Ring, ID47 x 3	STD ITEM	BB/OR47X3N	Yes
1.5	1	Bearing 6005-ZZ (25x47x12)	STD ITEM	BB6005ZZERB	Yes
1.6	1	D10 Smart Wormshaft	1271.M.017.V1.00	1271M017V100	Yes
1.7	1	D10S Cable Shield	1271.M.020.V1.00	1271M020V100	Yes
1.8	1	Bearing 6202-Plain (15x35x11)	STD ITEM	BB62020000	Yes
1.9	4	M8x40 Full Thread Taptite Hex Head 12A/F	STD ITEM	B2275HX840	Yes
1.10	1	D10S Earth Harness	1271.E.002.V1.00	WH1271E002	Yes
1.11	1	D10S Release Handle Assembly	1271.M.ASY.24.00	1271MASY2400	Yes
1.12	1	Hex cap screw M6 x 55 SS	STD ITEM	B12300655SS	Yes
1.13	1	D10S Release Pin Cap	1271.M.021.V1.00	1271M021V100	Yes
1.14	1	D10S Gearbox	1271.M.002.V1.00	1271M002V100	Yes
1.15	1	Universal Keytag V3 - Bo Type	0000.M.09.22	GTKEYTAG03	Yes
1.16	1	Oil Seal 20x32x7 HMSA10	STD ITEM	BB/OS20327	Yes
1.17	1	Bearing 6004-Plain ERB (20x42x12)	STD ITEM	BB600400ERB	Yes
1.18	1	D10S Output Shaft Assembly	1271.M.ASY.25.00	1271MASY2500	Yes
1.19	1	80ml Oil	STD ITEM	OIL208LXO1	No
1.20	1	Mini Grip Plastic Bag 65 x 80	----	MINI65X80	No
1.21	1	D10S Gearbox Sub Assembly Box	----	BOX1271SSUB1	No

**Translation in Excel**



\*SAME TRANSLATION AS ABOVE

Material: ----	General tolerances: Unless Otherwise Specified	Mass: g
Corrosion protection: ----	0 +/- 0.5mm	Volume: 5804234.43mm³
Colour: ----	0.0 +/- 0.2mm	Drawn by: BL
	0.00 +/- 0.1mm	Issued: 2021-09-29
	0.000 +/- 0.01mm	Scale: ----
	Angular +/- 0.1°	
Part No: See BOM		

- All dimensions in mm.  
- Steel Parts  
- Deburr all sharp edges  
- Plastic Parts  
- Free from flash

**A3**

THE INFORMATION CONTAINED IN THIS DRAWING IS THE SOLE PROPERTY OF CENTURION SYSTEMS ANY REPRODUCTION IN PART OR WHOLE WITHOUT THE WRITTEN PERMISSION OF CENTURION SYSTEMS IS PROHIBITED

**CENTURION**

Tel: (011) 699-2400  
Fax: (011) 704-3412

Sheet No: 4 of 13

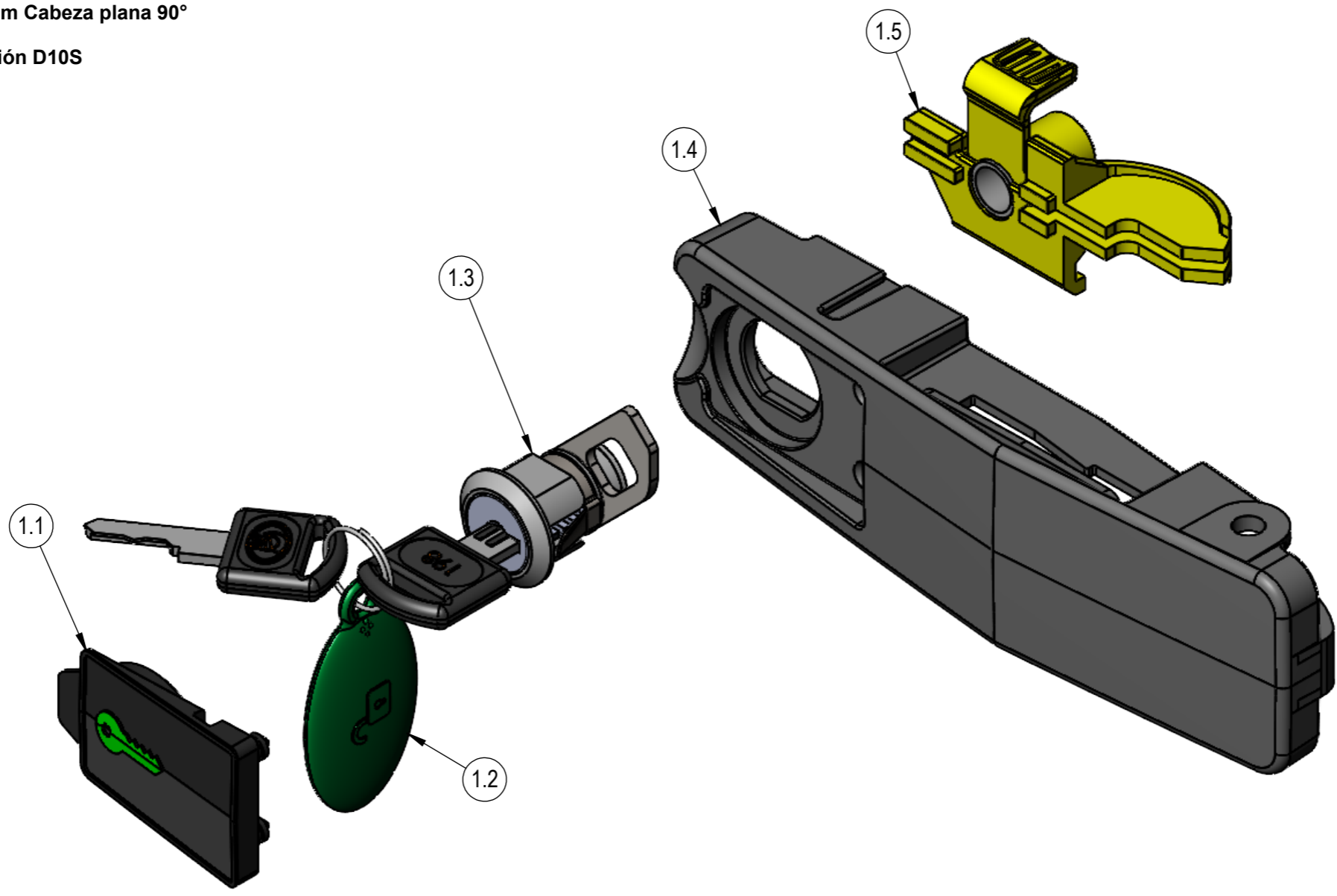
Dr. No: 1271.M.ASY.13.00

Rev: 0

ITEM No.	QTY	TITLE	Drawing Number	PART No.	SALEABLE ITEMS
1	1	D10S Release Handle Assembly	1271.M.ASY.24.00	1271MASY2400	Yes
1.1	1	D5S1 Camlock Cover SI02 with CO 50 Shore	1401.M.032.V1.00	1401M032V100	Yes
1.2	1	Keytag V3 - BO Type Universal	0000.M.09.22	GTKEYTAG03	Yes
1.3	1	Camlock Assembly D5S1 16mm Flat Head 90°	1401.M.ASY.06.00	M-CAMFH16900	No
1.4	1	D10S Release Handle	1271.M.005.V1.00	1271M005V100	No
1.5	1	D10S Override Cam Assembly	1271.M.ASY.08.00	1271MASY0800	Yes

\*SAME TRANSLATION AS ABOVE

Montaje de la manija de liberación del D10S  
 D5S1 Cubierta del cierre de leva SI02 con CO 50 Shore  
 Llave V3 - Tipo BO Universal  
 Montaje de la leva D5S1 16mm Cabeza plana 90°  
 Manija de liberación D10S  
 Montaje de la leva de anulación D10S




\*SAME TRANSLATION AS ABOVE

Material: ----	General tolerances: Unless Otherwise Specified	Mass: g
Corrosion protection: ----	0 +/- 0.5mm	Volume: 5804234.43mm³
Colour: ----	0.0 +/- 0.2mm	Drawn by: BL
Part No: ----	0.00 +/- 0.1mm	Issued: ----
	0.000 +/- 0.01mm	Scale: ----
	Angular +/- 0.1°	

- All dimensions in mm.  
 Steel Parts  
 - Deburr all sharp edges  
 Plastic Parts  
 - Free from flash

A3

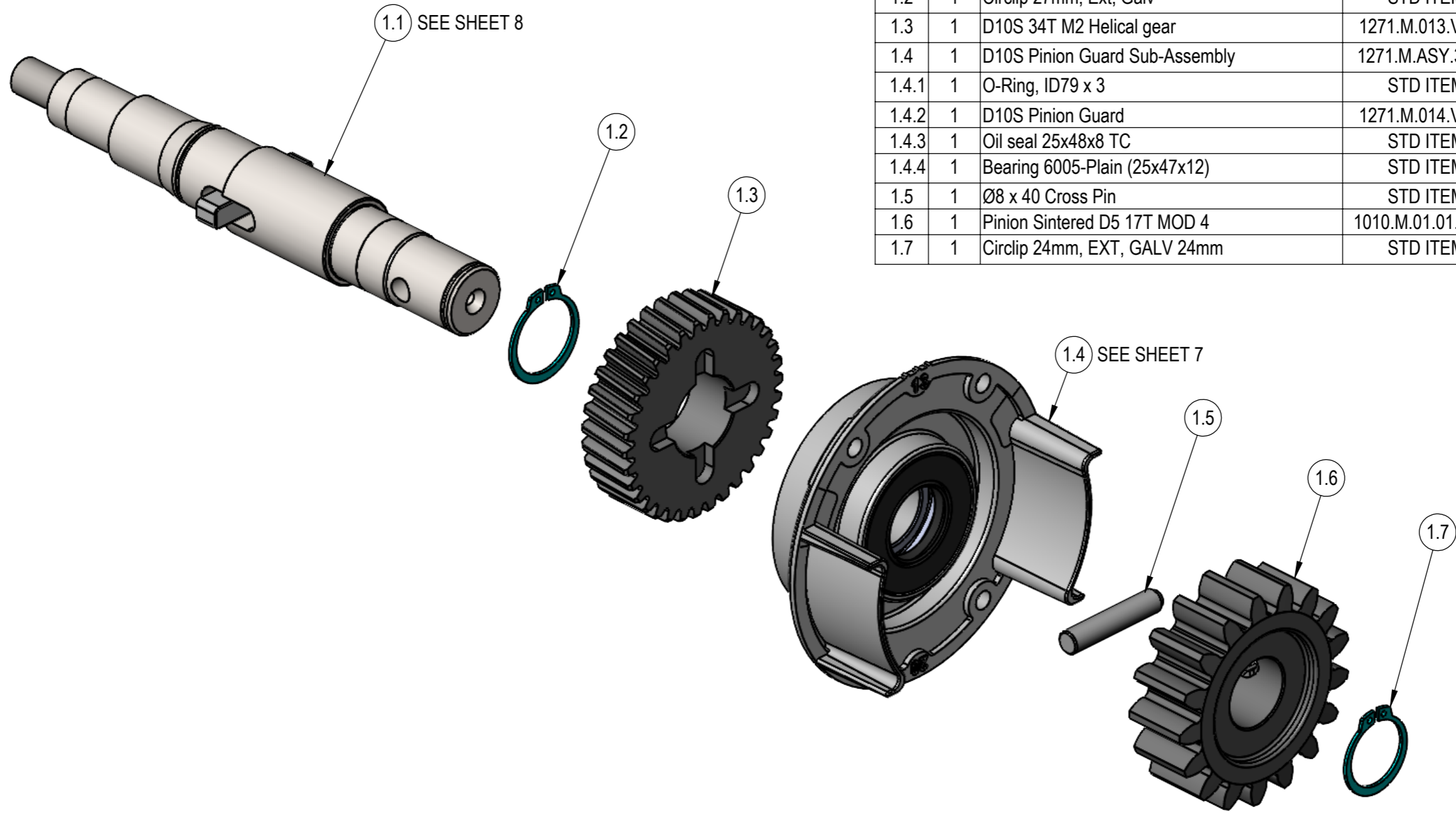
THE INFORMATION CONTAINED IN THIS DRAWING IS THE SOLE PROPERTY OF CENTURION SYSTEMS ANY REPRODUCTION IN PART OR WHOLE WITHOUT THE WRITTEN PERMISSION OF CENTURION SYSTEMS IS PROHIBITED


**CENTURION**  
 Tel: (011) 699-2400  
 Fax: (011) 704-3412

Title: **D10S Assembly (Sales)**  
 Sheet No: 5 of 13  
 Drg. No: 1271.M.ASY.13.00  
 Rev: 0

Translation in Excel

ITEM No.	QTY	TITLE	Drawing Number	PART No.	Saleable Items
1	1	D10S Output Shaft Assembly	1271.M.ASY.25.00	1271MASY2500	Yes
1.1	1	D10S Output Shaft & Release Pin Assembly	1271.M.ASY.17.00	1271MASY1700	Yes
1.1.1	1	D10 Smart Main Shaft (Incl. Spring, Key)	1271.M.010.V1.00	1271M010V100	Yes
1.1.2	1	D10S Release Pin	1271.M.011.V1.00	1271M011V100	Yes
1.1.3	1	O-Ring, ID10 x 2	STD ITEM	BB/OR-10X2	Yes
1.2	1	Circlip 27mm, Ext, Galv	STD ITEM	F-CIRCLP27	Yes
1.3	1	D10S 34T M2 Helical gear	1271.M.013.V1.00	1271M013V100	Yes
1.4	1	D10S Pinion Guard Sub-Assembly	1271.M.ASY.33.00	1271MASY3300	Yes
1.4.1	1	O-Ring, ID79 x 3	STD ITEM	BB/OR790X30C	Yes
1.4.2	1	D10S Pinion Guard	1271.M.014.V1.00	1271M014V100	Yes
1.4.3	1	Oil seal 25x48x8 TC	STD ITEM	BB/OS25488	Yes
1.4.4	1	Bearing 6005-Plain (25x47x12)	STD ITEM	BB60050000	Yes
1.5	1	Ø8 x 40 Cross Pin	STD ITEM	M0840CRPIN	Yes
1.6	1	Pinion Sintered D5 17T MOD 4	1010.M.01.01.38.cn	101007GKN0	Yes
1.7	1	Circlip 24mm, EXT, GALV 24mm	STD ITEM	F-CIRCLP24	Yes



Material: ----	General tolerances: <u>Unless Otherwise Specified</u>	Mass: g
Corrosion protection: ----	0 +/- 0.5mm	Volume: 5804234.43mm³
Colour: ----	0.0 +/- 0.2mm	Drawn by: BL
	0.00 +/- 0.1mm	Issued: 2021-09-29
	0.000 +/- 0.01mm	Scale: ----
	Angular +/- 0.1°	
Part No: See BOM		

\*SAME TRANSLATION AS ABOVE

- All dimensions in mm.  
 Steel Parts  
 - Deburr all sharp edges  
 Plastic Parts  
 - Free from flash

**A3**

THE INFORMATION CONTAINED IN THIS DRAWING IS THE SOLE PROPERTY OF CENTURION SYSTEMS ANY REPRODUCTION IN PART OR WHOLE WITHOUT THE WRITTEN PERMISSION OF CENTURION SYSTEMS IS PROHIBITED

**CENTURION**

Tel: (011) 699-2400  
 Fax: (011) 704-3412

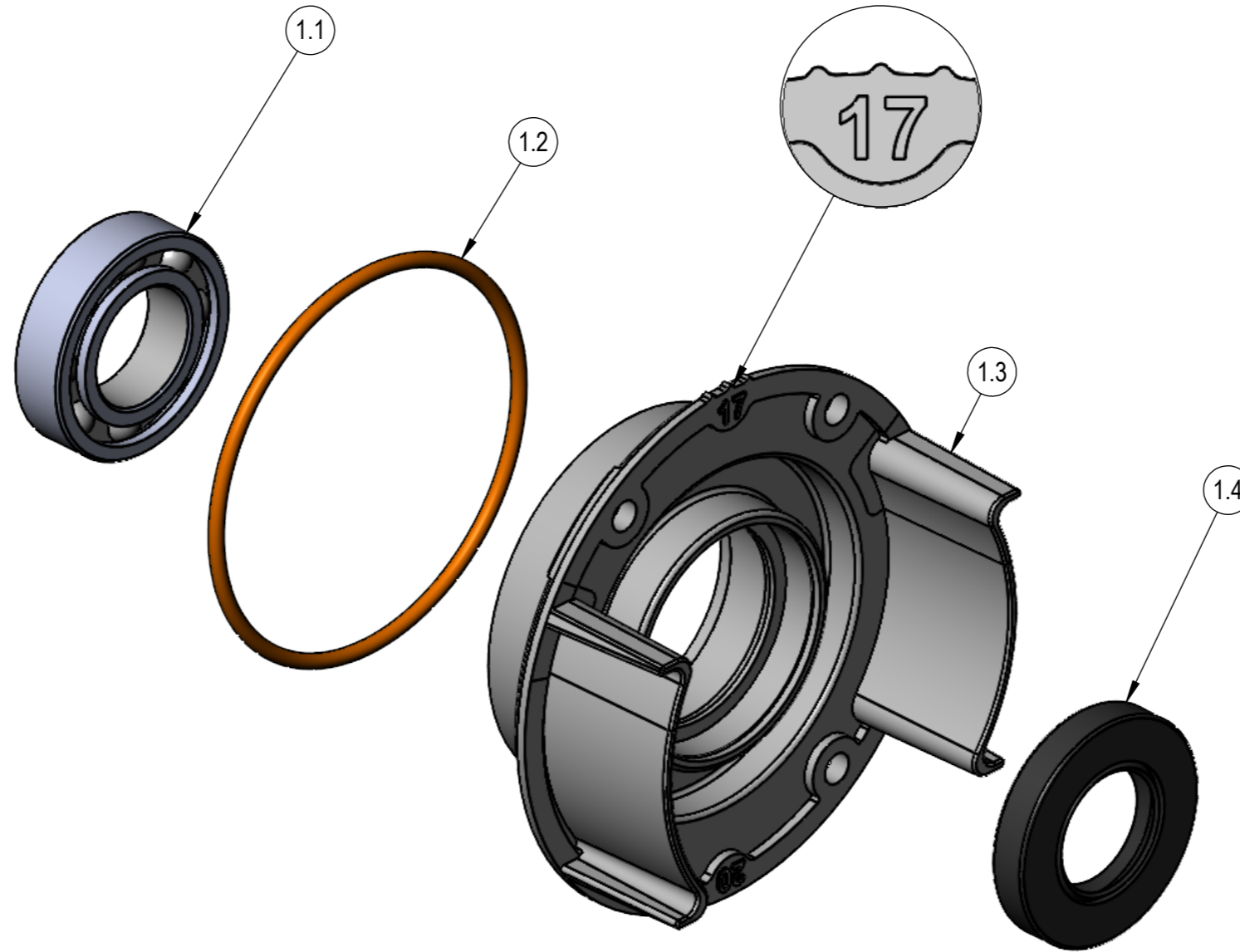
Title: **D10S Assembly (Sales)**

Sheet No: 6 of 13  
 Drg. No: 1271.M.ASY.13.00  
 Rev: 0

ITEM No.	QTY	TITLE	Drawing Number	PART No.	Saleable Items
1	1	D10S Pinion Guard Sub-Assembly	1271.M.ASY.33.00	1271MASY3300	Yes
1.1	1	Bearing 6005-Plain (25x47x12)	STD ITEM	BB60050000	Yes
1.2	1	O-Ring, ID79 x 3	STD ITEM	BB/OR790X30C	Yes
1.3	1	D10S Pinion Guard	1271.M.014.V1.00	1271M014V100	Yes
1.4	1	Oil seal 25x48x8 TC	STD ITEM	BB/OS25488	Yes

\*SAME TRANSLATION AS ABOVE

**Montaje del protector de piñón D10S**  
**Rodamiento 6005-Plano (25x47x12)**  
**Anillo en O, ID79 x 3**  
**Protector del piñón D10S**  
**Retén de aceite 25x48x8 TC**



\*SAME TRANSLATION AS ABOVE

Material:	General tolerances: Unless Otherwise Specified	Mass: g
Corrosion protection:	0 +/- 0.5mm	Volume: 5804234.43mm³
Colour:	0.0 +/- 0.2mm	Drawn by: BL
	0.00 +/- 0.1mm	Issued:
	0.000 +/- 0.01mm	Scale: ----
	Angular +/- 0.1°	
Part No:		

- All dimensions in mm.  
 Steel Parts  
 - Deburr all sharp edges  
 Plastic Parts  
 - Free from flash

**A3**

THE INFORMATION CONTAINED IN THIS DRAWING IS THE SOLE PROPERTY OF CENTURION SYSTEMS ANY REPRODUCTION IN PART OR WHOLE WITHOUT THE WRITTEN PERMISSION OF CENTURION SYSTEMS IS PROHIBITED

**CENTURION**

Tel: (011) 699-2400  
 Fax: (011) 704-3412

Sheet No: 7 of 13

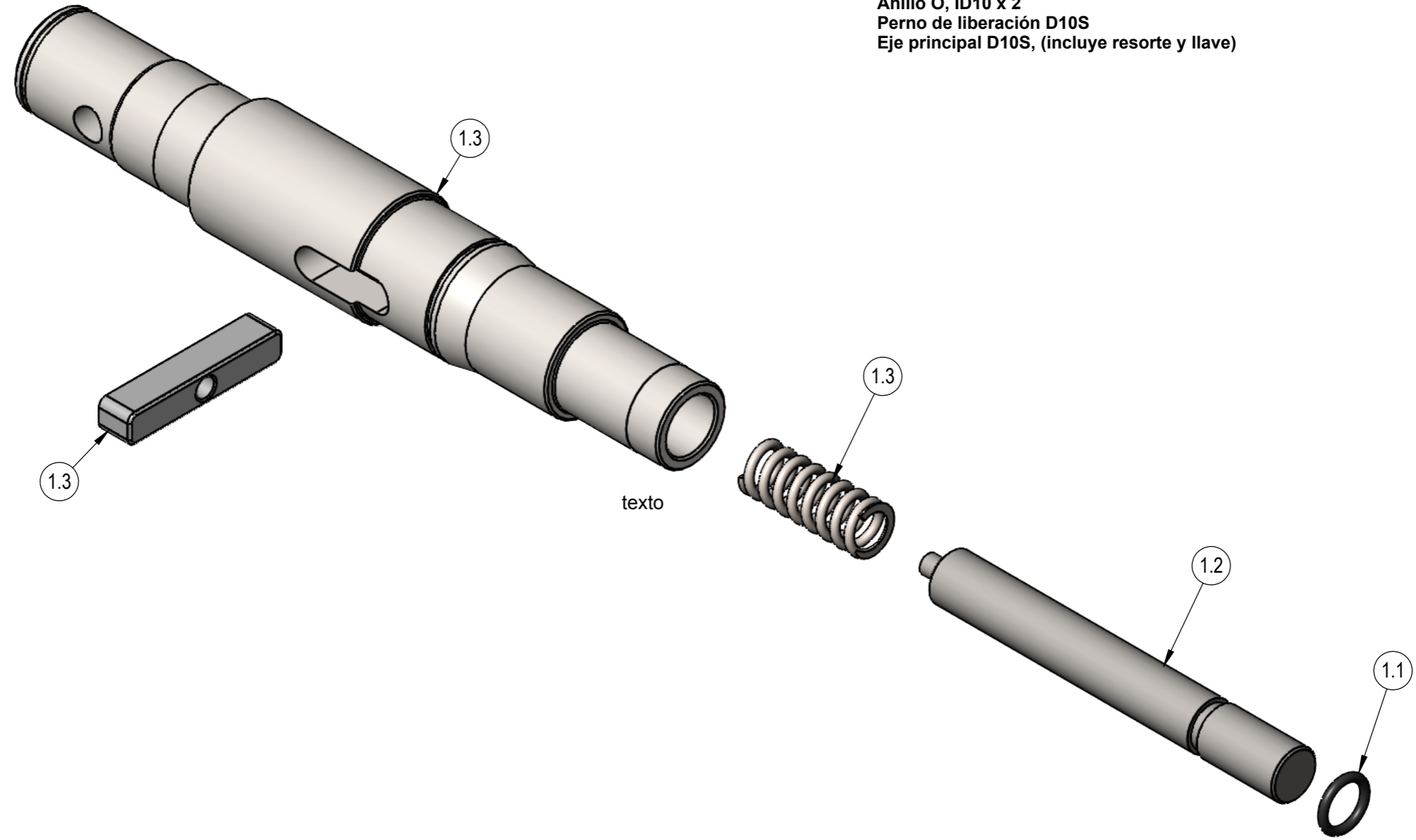
Dr. No: 1271.M.ASY.13.00

Rev: 0

Title: **D10S Assembly (Sales)**

ITEM No.	QTY	TITLE	Drawing Number	PART No.	Saleable Item
1	1	D10S Output Shaft & Release Pin Assembly	1271.M.ASY.17.00	1271MASY1700	Yes
1.1	1	O-Ring, ID10 x 2	STD ITEM	BB/OR-10X2	No
1.2	1	D10S Release Pin	1271.M.011.V1.00	1271M011V100	No
1.3	1	D10S Main Shaft (Incl. Spring, key)	1271.M.010.V1.00	1271M010V100	No

**Montaje del eje de salida y del perno de liberación del D10S**  
**Anillo O, ID10 x 2**  
**Perno de liberación D10S**  
**Eje principal D10S, (incluye resorte y llave)**



Material: ----	General tolerances: <u>Unless Otherwise Specified</u>	Mass: g
Corrosion protection: ----	0 +/- 0.5mm	Volume: 5804234.43mm³
Colour: ----	0.0 +/- 0.2mm	Drawn by: BL
	0.00 +/- 0.1mm	Issued: 2021-09-29
	0.000 +/- 0.01mm	
Part No: See BOM	Angular +/- 0.1°	Scale: ----

\*SAME TRANSLATION AS ABOVE

- All dimensions in mm.  
 Steel Parts  
 - Deburr all sharp edges  
 Plastic Parts  
 - Free from flash

**A3**

THE INFORMATION CONTAINED IN THIS DRAWING IS THE SOLE PROPERTY OF CENTURION SYSTEMS ANY REPRODUCTION IN PART OR WHOLE WITHOUT THE WRITTEN PERMISSION OF CENTURION SYSTEMS IS PROHIBITED

**CENTURION**

Tel: (011) 699-2400  
 Fax: (011) 704-3412

Sheet No: 8 of 13

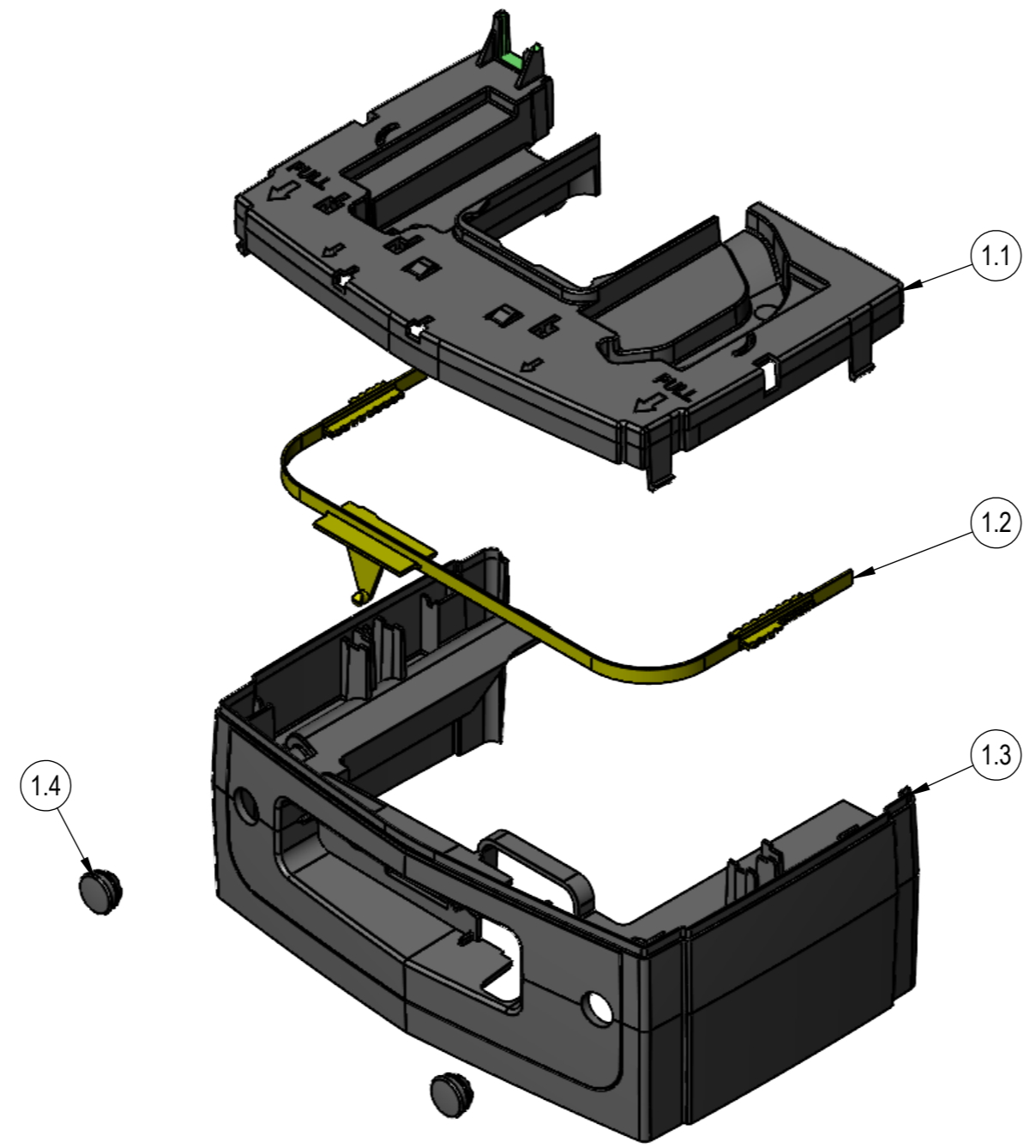
Dr. No: 1271.M.ASY.13.00

Rev: 0

ITEM No.	QTY	TITLE	Drawing Number	PART No.	Saleable Items
1	1	D10S Lower Battery Tray Sub Assembly	1271.M.ASY.19.00	1271MASY1900	Yes
1.1	1	D10S Lower Battery Tray	1271.M.007.V1.00	1271M007V100	No
1.2	1	D10S Cam Driven Slide	1271.M.012.V1.00	1271M012V100	No
1.3	1	D10S Gearbox Trim	1271.M.006.V1.00	1271M006V100	Yes
1.4	2	D10S Gearbox Trim Plug	1271.M.034.V1.00	1271M034V100	Yes

\*SAME TRANSLATION AS ABOVE

Montaje de la bandeja inferior de la batería del D10S  
 Bandeja inferior de la batería D10S  
 Accionamiento por leva D10S  
 Recorte del motor D10S  
 Recorte del enchufe D10S




\*SAME TRANSLATION AS ABOVE

Material: ----	General tolerances: <u>Unless Otherwise Specified</u>	Mass: g
Corrosion protection: ----	0 +/- 0.5mm	Volume: 5804234.43mm³
Colour: ----	0.0 +/- 0.2mm	Drawn by: BL
Part No: ----	0.00 +/- 0.1mm	Issued: 2021-09-29
	0.000 +/- 0.01mm	Scale: ----
	Angular +/- 0.1°	

- All dimensions in mm.  
 Steel Parts  
 - Deburr all sharp edges  
 Plastic Parts  
 - Free from flash

A3

THE INFORMATION CONTAINED IN THIS DRAWING IS THE SOLE PROPERTY OF CENTURION SYSTEMS ANY REPRODUCTION IN PART OR WHOLE WITHOUT THE WRITTEN PERMISSION OF CENTURION SYSTEMS IS PROHIBITED

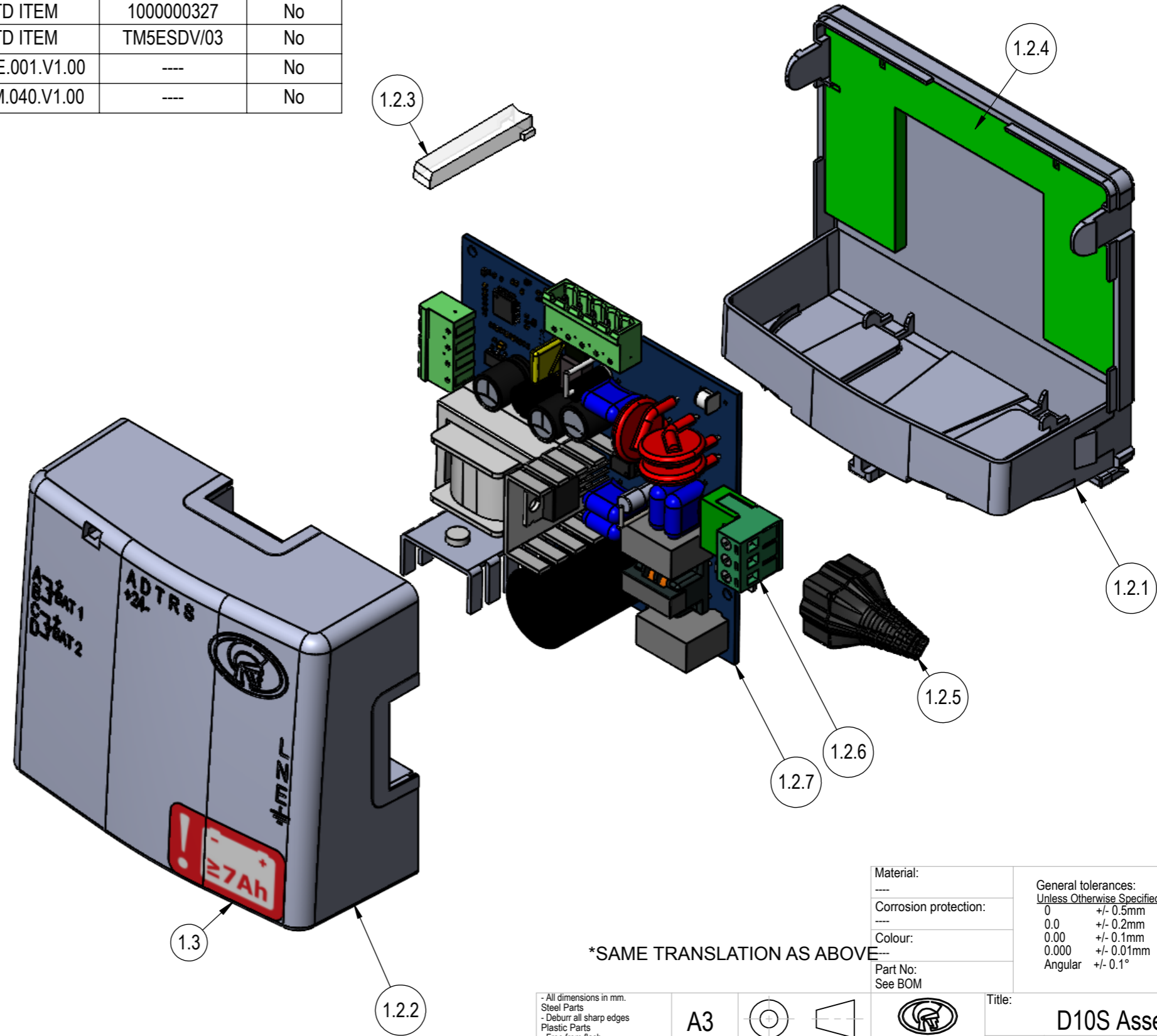

**CENTURION**  
 Tel: (011) 699-2400  
 Fax: (011) 704-3412

Title: **D10S Assembly (Sales)**  
 Sheet No: 9 of 13  
 Drg. No: 1271.M.ASY.13.00  
 Rev: 0

ITEM No.	QTY	TITLE	Drawing Number	PART No.	Saleable Items
1	1	Dx Smart Charger 27.4V 1.8Amp (D10S) Boxed	----	DX2CHGRV00	Yes
1.1	1	Box CP75/ 77/ 91/ 200 200 x 140 x 60 Centsys	----	CP77BOXAU	No
1.2	1	D10S Charger Assembly	1271.M.ASY.09.00	PCA12717V1_DX2	Yes
1.2.1	1	D5S1 Charger Enclosure Base	1401.M.028.V1.00	1401M028V100	No
1.2.2	1	D5S1 Charger Enclosure Lid	1401.M.029.V1.00	1401M029V100	No
1.2.3	1	D5S1 Charger Light Pipe	1401.M.062.V1.00	1401M062V100	No
1.2.4	1	Charger Ant Seal	1401.M.106.V1.00	1401M106V100	No
1.2.5	1	Silicone Mains Connector Cover	STD ITEM	1000000327	No
1.2.6	1	Degson 2EDG - 5.08mm 3 Way	STD ITEM	TM5ESDV/03	No
1.2.7	1	D10S Charger Assembly PCB	1271.E.001.V1.00	----	No
1.3	1	DX2-Smart Charger 7Ah Sticker	1271.M.040.V1.00	----	No

\*SAME TRANSLATION AS ABOVE

**Cargador Dx Smart 27.4V 1.8Amp (D10S) - En caja**  
**Caja CP75/ 77/ 91/ 200 200 x 140 x 60 Centsys**  
**Montaje del cargador D10S**  
**Base del cargador D5 S1**  
**Cubierta del cargador D5 S1**  
**Conducto de luz del cargador D5S1**  
**Sellado anti-hormigas para el cargador**  
**Cubierta del conector de red a base de goma**  
**Degson 2EDG - 5.08mm 3 canales**  
**Montaje del cargador D10S PCB**  
**Calcomanía DX2-Smart Cargador 7Ah**



\*SAME TRANSLATION AS ABOVE

Material: ----	General tolerances: Unless Otherwise Specified	Mass: g
Corrosion protection: ----	0 +/- 0.5mm	Volume: 5804234.43mm³
Colour: ----	0.0 +/- 0.2mm	Drawn by: BL
Part No: See BOM	0.00 +/- 0.1mm	Issued: 2021-09-29
	0.000 +/- 0.01mm	Scale: ----
	Angular +/- 0.1°	

- All dimensions in mm.  
 Steel Parts  
 - Deburr all sharp edges  
 Plastic Parts  
 - Free from flash

**A3**

THE INFORMATION CONTAINED IN THIS DRAWING IS THE SOLE PROPERTY OF CENTURION SYSTEMS ANY REPRODUCTION IN PART OR WHOLE WITHOUT THE WRITTEN PERMISSION OF CENTURION SYSTEMS IS PROHIBITED

**CENTURION**

Tel: (011) 699-2400  
 Fax: (011) 704-3412

Sheet No: 10 of 13

Dr. No: 1271.M.ASY.13.00

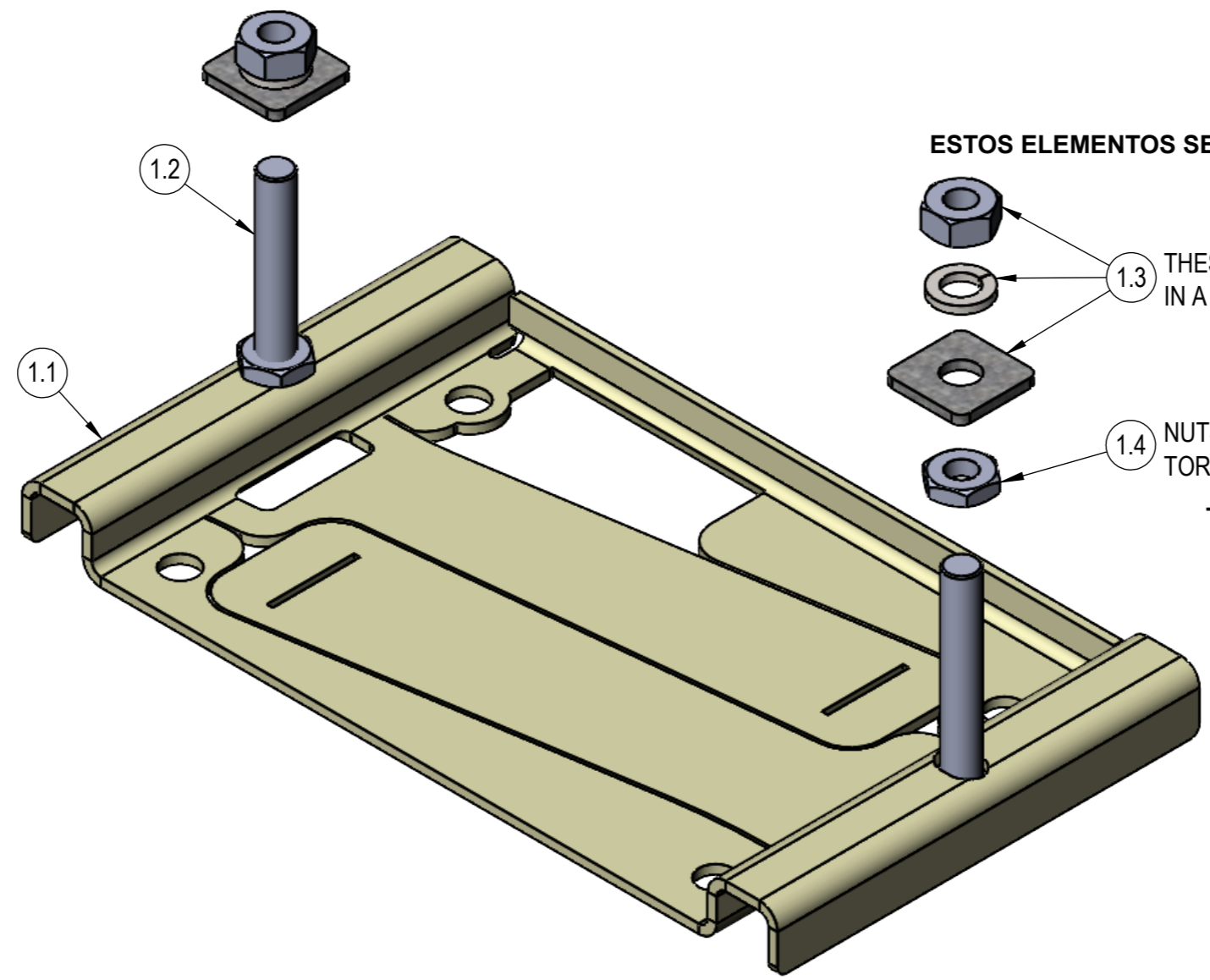
Rev: 0

Title: **D10S Assembly (Sales)**

ITEM No.	QTY	TITLE	Drawing Number	PART No.	Saleable Items
1	1	D10S Foundation Plate & Fastner Assembly	1271.M.ASY.18.00	1271MASY1800	Yes
1.1	1	A10/D10 Foundation Plate V2	1114.M.13.02.00	11141302V2	Yes
1.2	2	SET SCREW HT GALV M10 x 60mm	STD ITEM	B121310060	Yes
1.3	1	D10S Fastener Kit	1271.M.ASY.11.00	1271SUB001	Yes
1.4	2	NUT HALF GALV M10 RH, MS, Zinc Plated, 17mm A/F	STD ITEM	N220110000	Yes

\*SAME TRANSLATION AS ABOVE

**Montaje de la placa de cimentación y del fijador D10S**  
**Placa de cimentación A10/D10 V2**  
**CONJUNTO DE TORNILLOS HT GALVANIZADOS M10 x 60mm**  
**Conjunto de fijaciones D10S**  
**TUERCA MEDIA GALV M10 DER, MS, Zincada, 17mm A/F**



**ESTOS ELEMENTOS SE SUMINISTRAN POR SEPARADO EN UNA BOLSA**

1.3 THESE ITEMS ARE SUPPLIED IN A SEPERATE BAG

1.4 NUTS TO BE TORQUED TO 20Nm

**TUERCAS PARA TORNAR A 20Nm**

\*SAME TRANSLATION AS ABOVE

Material: ---	General tolerances: Unless Otherwise Specified	Mass: g
Corrosion protection: ---	0 +/- 0.5mm	Volume: 5804234.43mm³
Colour: ---	0.0 +/- 0.2mm	Drawn by: BL
Part No: See BOM	0.00 +/- 0.1mm	Issued: 2021-09-29
	0.000 +/- 0.01mm	Scale: ---
	Angular +/- 0.1°	

- All dimensions in mm.  
 Steel Parts  
 - Deburr all sharp edges  
 Plastic Parts  
 - Free from flash

**A3**

THE INFORMATION CONTAINED IN THIS DRAWING IS THE SOLE PROPERTY OF CENTURION SYSTEMS ANY REPRODUCTION IN PART OR WHOLE WITHOUT THE WRITTEN PERMISSION OF CENTURION SYSTEMS IS PROHIBITED

**CENTURION**

Tel: (011) 699-2400  
 Fax: (011) 704-3412

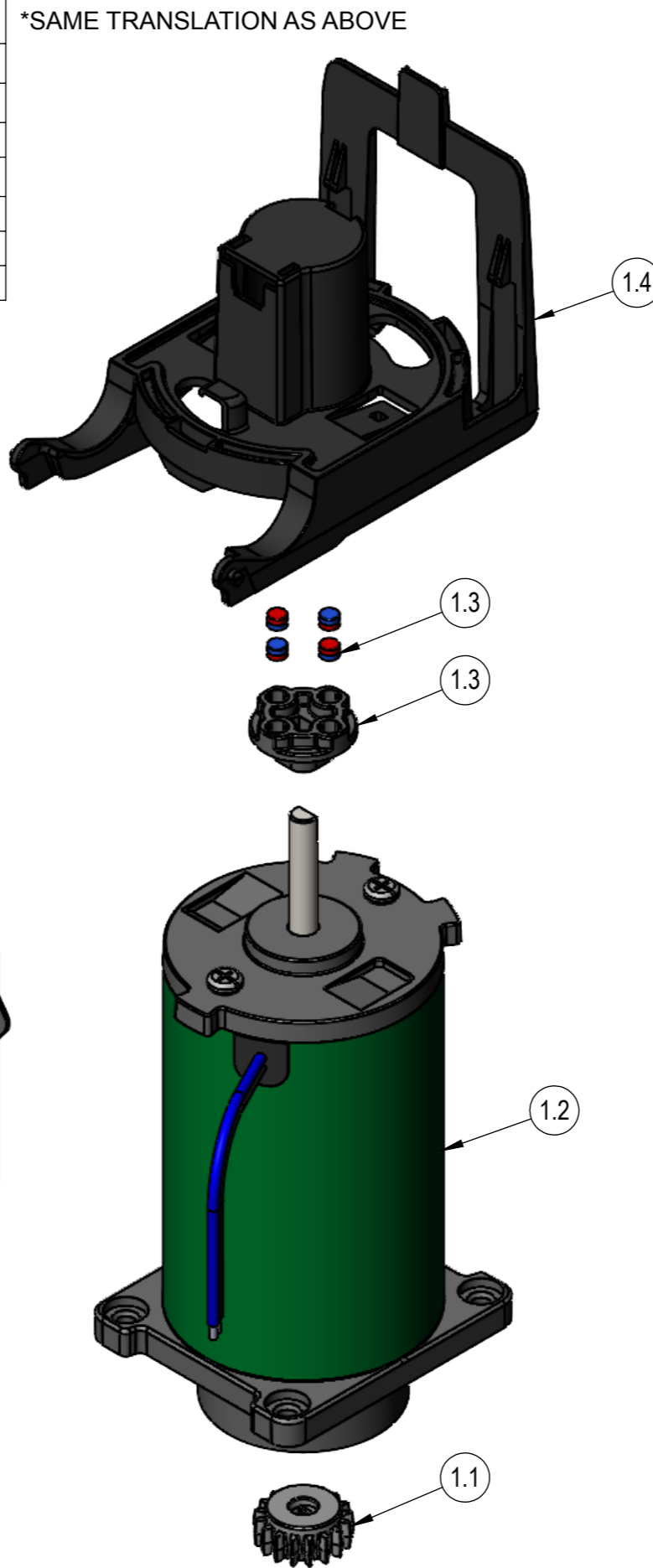
Sheet No: 11 of 13

Dr. No: 1271.M.ASY.13.00

Rev: 0

ITEM No.	QTY	TITLE	Drawing Number	PART No.	Saleable Items
1	1	D10S Motor Sub Assembly	1271.M.ASY.32.00	1271MASY3200	Yes
1.1	1	D5S1 Drive Coupling Motor Side	1401.M.045.V1.00	1401M045V100	Yes
1.2	1	Motor D5 Smart S1 80ZY24-130 24V DC Linix	1401.M.ASY.09.00	MT80ZY241300	Yes
1.3	1	Multiple Magnet Holder Assembly	1401.M.ASY.16.00	1401MASY1600	Yes
1.4	1	D5S1 Motor Bracket	1401.M.015.V1.00	1401M015V100	Yes
1.5	1	D5S1 CABLE TRUNKING	1401.M.095.V1.00	1401M095V100	Yes
1.6	1	Box D10 DC Motor 115X98X207 C-Flute Folf	----	BOXMTRD101	No

**Montaje secundario del motor D10S**  
**Acoplamiento de accionamiento D5S1 - Lateral del motor**  
**Motor D5 Smart S1 80ZY24-130 24V DC Linix**  
**Montaje de un sujetador de imán múltiple**  
**Soporte del motor D5 S1**  
**CANALIZACIÓN DE CABLES D5 S1**  
**Caja D10 DC Motor 115X98X207 C-Flute Folf**



\*SAME TRANSLATION AS ABOVE

\*SAME TRANSLATION AS ABOVE

Material: ----	General tolerances: <u>Unless Otherwise Specified</u>	Mass: g
Corrosion protection: ----	0 +/- 0.5mm	Volume: 5804234.43mm³
Colour: ----	0.0 +/- 0.2mm	Drawn by: BL
	0.00 +/- 0.1mm	Issued: 2021-09-29
	0.000 +/- 0.01mm	
Part No: See BOM	Angular +/- 0.1°	Scale: ----

- All dimensions in mm.  
 Steel Parts  
 - Deburr all sharp edges  
 Plastic Parts  
 - Free from flash

THE INFORMATION CONTAINED IN THIS DRAWING IS THE SOLE PROPERTY OF CENTURION SYSTEMS ANY REPRODUCTION IN PART OR WHOLE WITHOUT THE WRITTEN PERMISSION OF CENTURION SYSTEMS IS PROHIBITED

A3



Title: <b>D10S Assembly (Sales)</b>	Sheet No: 12 of 13	Drg. No: <b>1271.M.ASY.13.00</b>	Rev: <b>0</b>
--	-----------------------	-------------------------------------	------------------

A

A

B

B

C

C

D

D



1401.E.012.V2.00 - MAIN CONTROLLER HARNESS  
WIRES - RED, BLACK, GREY & PURPLE  
SAP NUMBER: WH1401E01200

1401.E.012.V2.00 - CABLES DEL ARNÉS DEL CONTROLADOR PRINCIPAL - ROJO, NEGRO, GRIS Y MORADO  
NÚMERO DE SAP: WH1401E0101200



1401.E.013.V1.00 - BATTERY HARNESS  
4 WIRES - RED AND BLACK  
SAP NUMBER: WH1401E01300

1401.E.013.V1.00 - ARNÉS DE LA BATERÍA 4 CABLES - ROJO Y NEGRO  
NÚMERO DE SAP: WH1401E01300



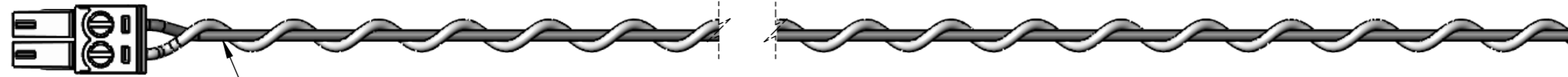
1271.E.002.V1.00 - D10S EARTH HARNESS  
1 WIRE - YELLOW AND GREEN TWIST  
SAP NUMBER: WH1271E002

1271.E.002.V1.00 - D10S ARNÉS PARA TOMA A TIERRA 1 CABLE - AMARILLO Y VERDE TRENZADO  
NÚMERO DE SAP: WH1271E002



1401.E.016.V2.00 - OVERRIDE SENSOR HARNESS / 1401.M.ASY.27.00 - OVERRIDE SENSOR ASSEMBLY WITH TAB (INCL. PCB)  
2 WIRES - GREY AND BLUE  
SAP NUMBER: PCA14012V2

1401.E.016.V2.00 - ARNÉS DEL SENSOR DE ANULACIÓN 1401.M.ASY.27.00 - MONTAJE DEL SENSOR DE ANULACIÓN CON LENGÜETA, (INCL. PCB) 2 CABLES - GRIS Y AZUL  
NÚMERO DE SAP: PCA14012V2



1401.E.017.V2.00 - ORIGIN SENSOR HARNESS / 1401.M.ASY.28.00 - ORIGIN SENSOR ASSEMBLY (INCL. PCB)  
2 WIRES - GREY AND WHITE  
SAP NUMBER: PCA14018V1  
THIS IS AN OPTIONAL EXTRA ITEM

1401.E.017.V2.00 - ARNÉS DEL SENSOR DE ORIGEN 1401.M.ASY.28.00 - MONTAJE DEL SENSOR DE ORIGEN, (INCL. PCB) 2 CABLES - GRIS Y BLANCO  
NÚMERO DE SAP: PCA14018V1  
(ESTE ES UN ELEMENTO EXTRA OPCIONAL)

Material: ----	General tolerances: Unless Otherwise Specified	Mass: g
Corrosion protection: ----	0 +/- 0.5mm	Volume: 5804234.43mm³
Colour: ----	0.0 +/- 0.2mm	Drawn by: BL
Part No: ----	0.00 +/- 0.1mm	Issued: 2021-09-29
	0.000 +/- 0.01mm	Scale: ----
	Angular +/- 0.1°	

- All dimensions in mm.  
Steel Parts  
- Deburr all sharp edges  
Plastic Parts  
- Free from flash

THE INFORMATION CONTAINED IN THIS DRAWING IS THE SOLE PROPERTY OF CENTURION SYSTEMS ANY REPRODUCTION IN PART OR WHOLE WITHOUT THE WRITTEN PERMISSION OF CENTURION SYSTEMS IS PROHIBITED

A3



Title:  
**D10S Assembly (Sales)**

Sheet No: 13 of 13  
Drg. No: 1271.M.ASY.13.00  
Rev: 0